

POWER STROKE™

**CUSTOMER SERVICE
SERVICIO AL CLIENTE**

USA: 1-877-617-3501

Mexico: 01 800 843 1111

www.powerstroketools.com

OPERATOR'S MANUAL

MANUAL DEL OPERADOR

2200 PSI PRESSURE WASHER

LAVADORA A PRESIÓN DE 2 200 PSI

PS80516A

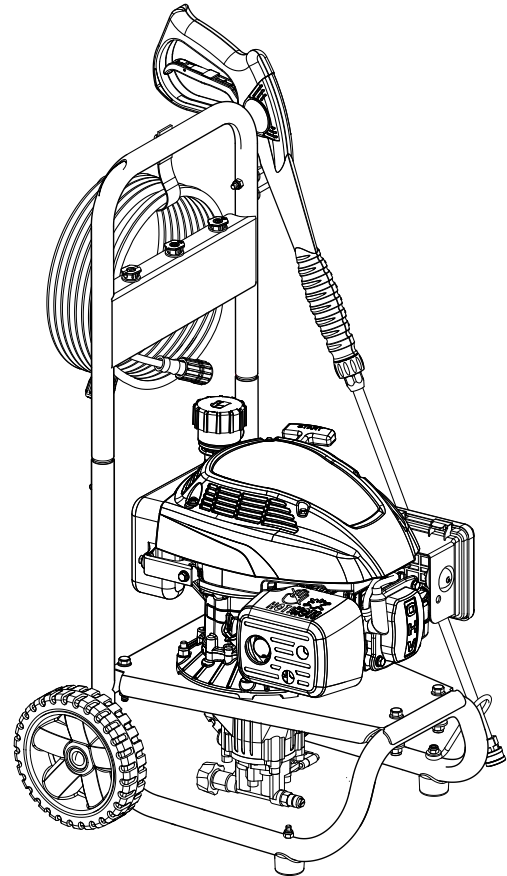
To register your POWERSTROKE product, please visit: <http://register.powerstroketools.com/>

Para registrar su producto de POWERSTROKE, por favor visita: <http://register.powerstroketools.com/>



DO NOT USE E15 OR E85 FUEL IN THIS UNIT. IT IS A VIOLATION OF FEDERAL LAW AND WILL DAMAGE THE UNIT AND VOID YOUR WARRANTY.

NO UTILICE COMBUSTIBLES E15 O E85 EN ESTA UNIDAD. ESTO CONSTITUYE UNA VIOLACIÓN A LA LEY FEDERAL, DAÑARÁ LA UNIDAD Y ANULARÁ LA GARANTÍA.



Your pressure washer has been engineered and manufactured to our high standard for dependability, ease of operation, and operator safety. When properly cared for, it will give you years of rugged, trouble-free performance.

WARNING: To reduce the risk of injury, the user must read and understand the operator's manual before using this product.

Thank you for your purchase.

SAVE THIS MANUAL FOR FUTURE REFERENCE

Su lavadora a presión ha sido diseñada y fabricada de conformidad con las estrictas normas para brindar fiabilidad, facilidad de uso y seguridad para el operador. Con el debido cuidado, le brindará muchos años de sólido y eficiente funcionamiento.

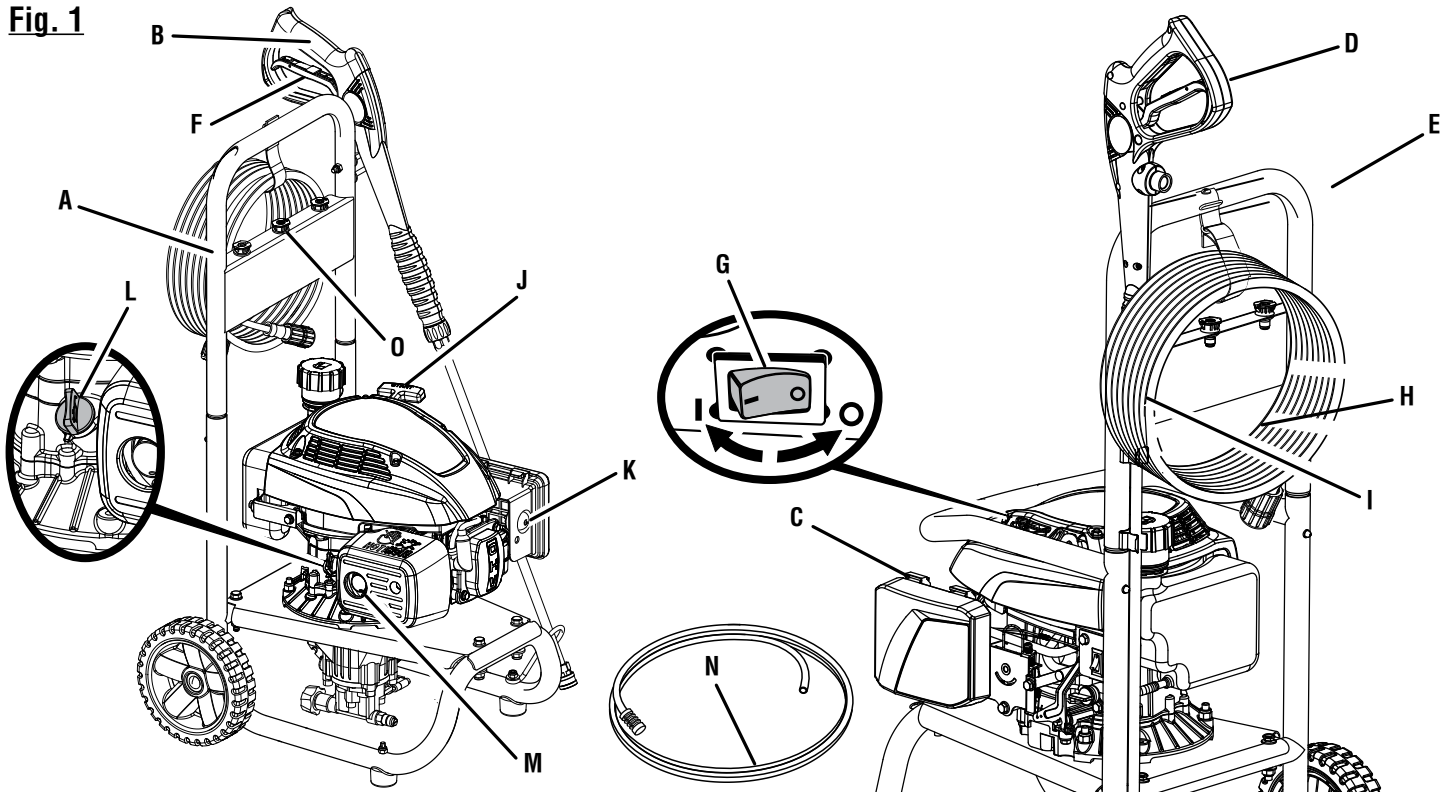
ADVERTENCIA: Para reducir el riesgo de lesiones, el usuario debe leer y comprender el manual del operador antes de usar este producto.

Le agradecemos su compra.

GUARDE ESTE MANUAL PARA FUTURAS CONSULTAS

See this fold-out section for all of the figures referenced in the operator's manual.
 Consulte esta sección desplegable para ver todas las figuras a las que se hace referencia en el manual del operador.

Fig. 1



- A - Handle (mango)
- B - Trigger handle (mango del gatillo)
- C - Spray wand (tubo de rociado)
- D - High pressure hose storage (almacenamiento del manguera de alta presión)
- E - High pressure hose (manguera de alta presión)
- F - Trigger with lock out (gatillo con seguro)
- G - (I) ON / (O) OFF switch (interruptor de encendido/apagado)

- H - Fuel tank (tanque de combustible)
- I - Fuel cap (tapa del tanque de combustible)
- J - Recoil starter (mango del arrancador con cuerda)
- K - Primer bulb (bomba de cebado)
- L - Oil cap/dipstick (tapa del aceite con varilla de nivel)
- M - Muffler (silenciador)
- N - Injection hose with filter (manguera de inyección con filtro)
- O - Nozzle storage (boquillas y compartimientos para boquillas)

Fig. 1a

A - Combination wrench (llave de combinación)

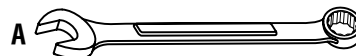
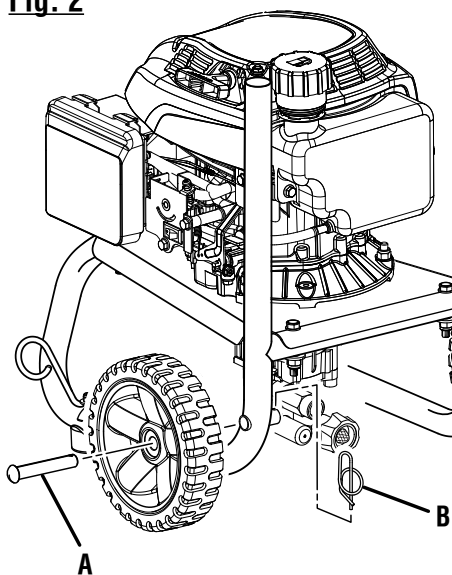
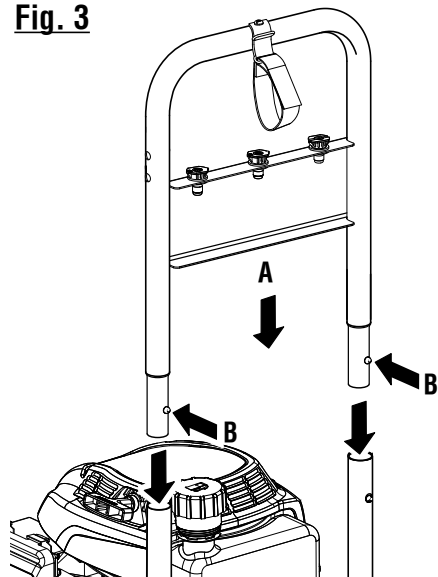


Fig. 2



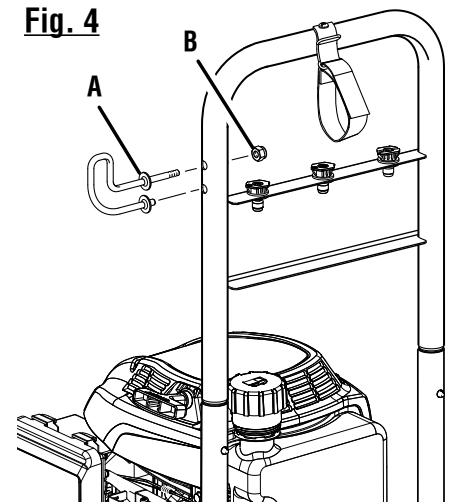
- A - Axle (eje)
- B - Hitch pin (pasador de enganche)

Fig. 3



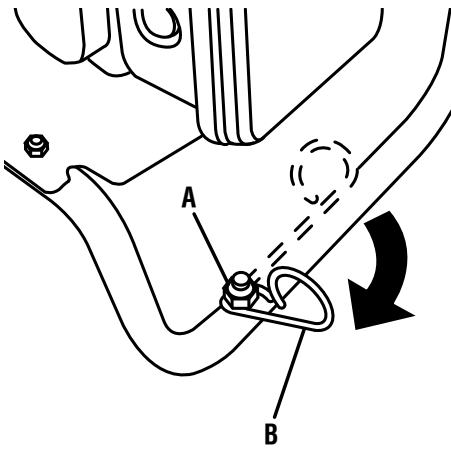
- A - Push to insert (tapa de aseguramiento del mango)
- B - Button (botón)

Fig. 4



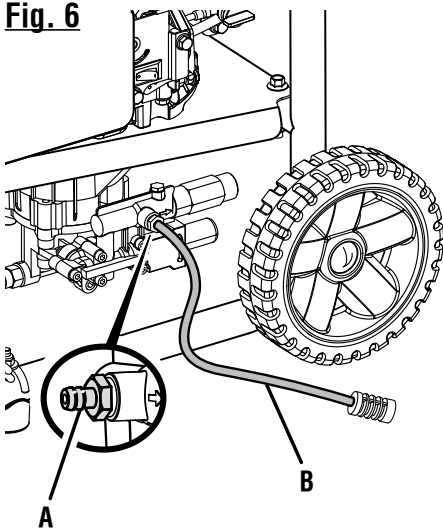
- A - Upper spray wand holder (soporte para el tubo rociador superior)
- B - Lock nut (tuerca de seguridad)

Fig. 5



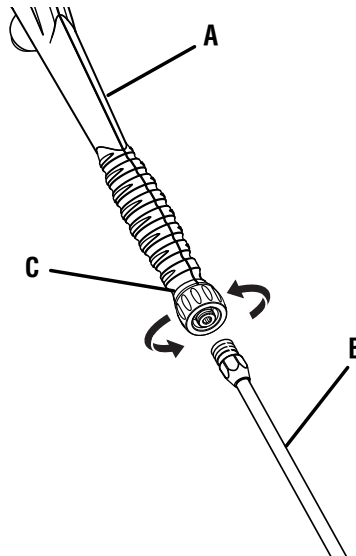
A - Lock nut (tuerca de seguridad)
 B- Lower spray wand holder (oporte para el tubo rociador inferior)

Fig. 6



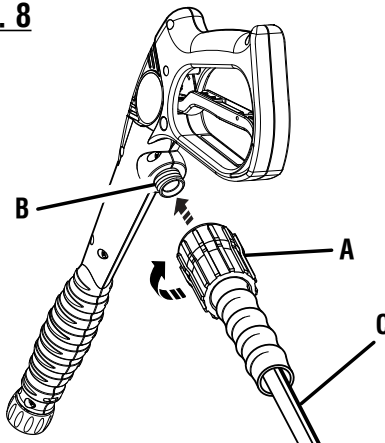
A - Injection hose fitting (adaptador de la manguera de inyección)
 B - Injection hose (manguera de inyección)

Fig. 7



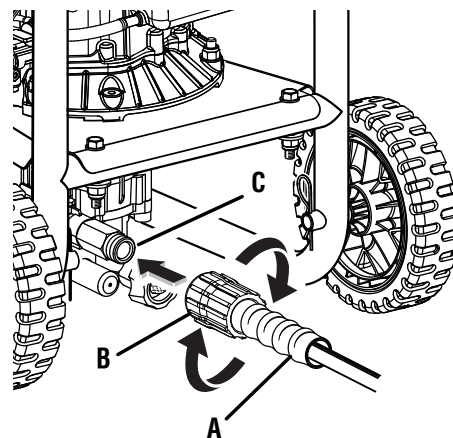
A - Trigger handle (mango del gatillo)
 B - Spray wand (tubo de rociado)
 C - Connector (conector)

Fig. 8



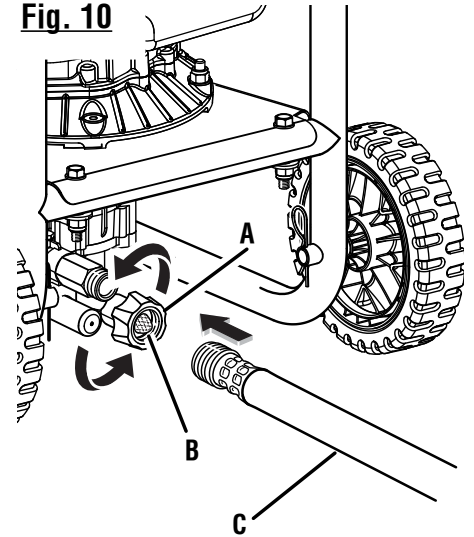
A - Collar (collar)
 B - Inlet coupler (acoplador de entrada)
 C - High pressure hose (manguera de alta presión)

Fig. 9



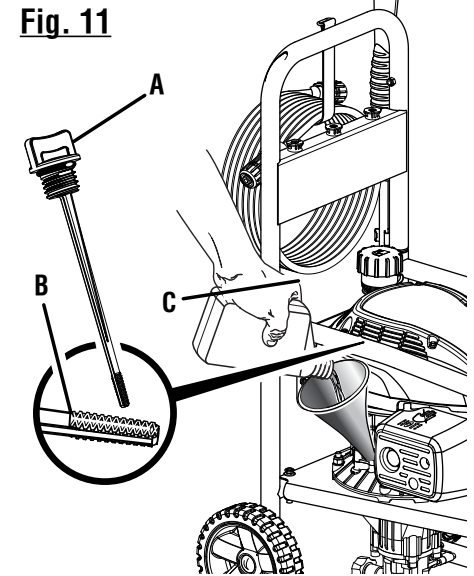
A - High pressure hose (manguera de alta presión)
 B - Collar (collarín)
 C - Threaded nipple (conexión roscada)

Fig. 10



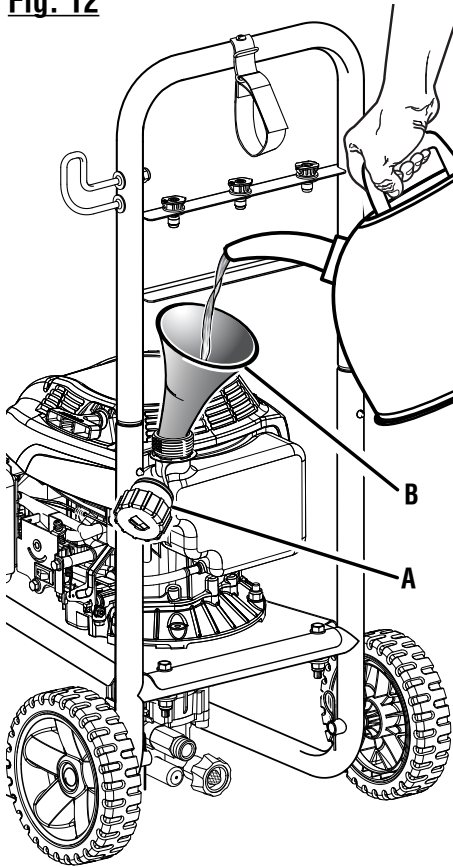
A - Water intake (entrada de agua)
 B - Screen (cedazo)
 C - Garden hose (manguera de jardín)

Fig. 11



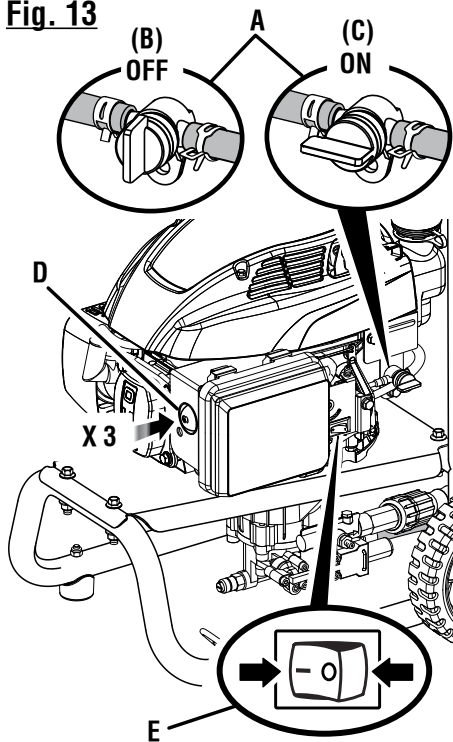
A - Lubricant cap/dipstick (tapa del aceite con varilla de nivel)
 B - Upper fill level (nivel de carga superior)
 C - Funnel (embudo)

Fig. 12



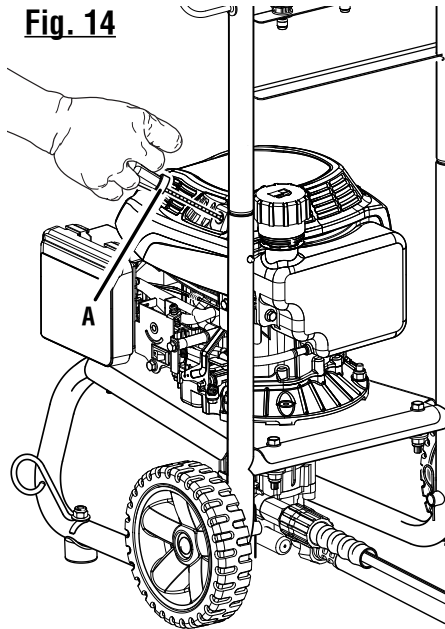
A - Fuel cap (tapa del tanque de combustible)
 B - Funnel (embudo)

Fig. 13



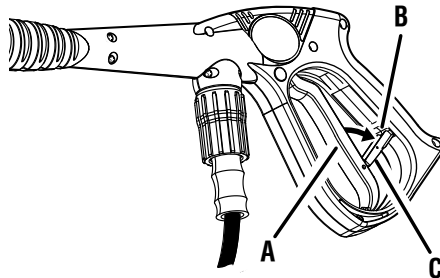
A - Fuel valve (válvula de combustible)
 B - Off (apagado)
 C - On (encendido)
 D - Primer bulb (bomba de cebado)
 E - (I) ON / (O) OFF switch (interruptor de encendido / apagado)

Fig. 14



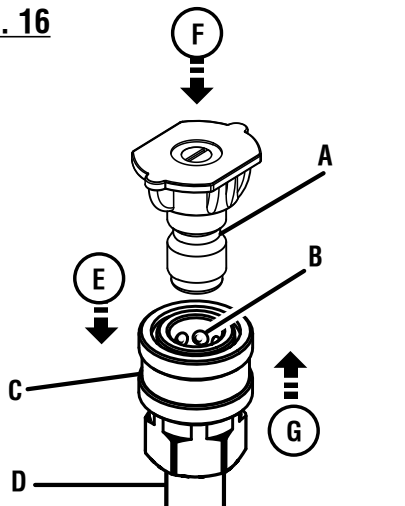
A - Recoil starter (arrancador retráctil)

Fig. 15



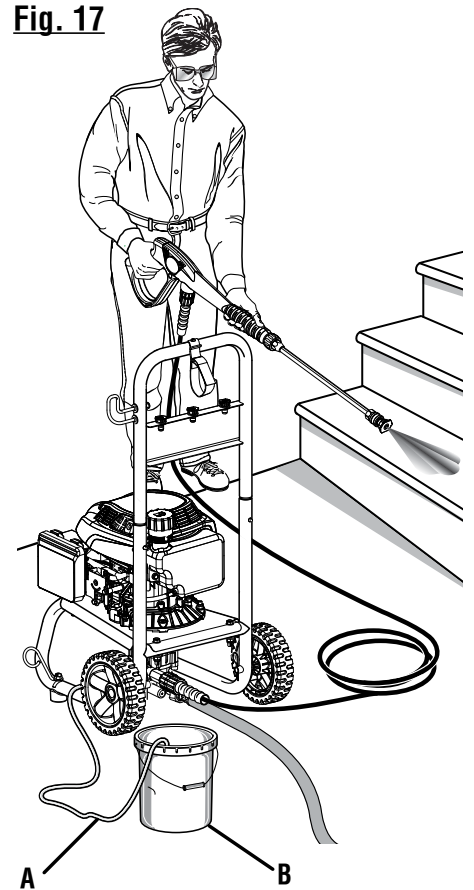
A - Trigger (gatillo)
 B - Slot (ranura)
 C - Lock Out (seguro)

Fig. 16



A - Nozzle (boquilla)
 B - "Click" (hasta que trabe)
 C - Quick-connect collar (casquillo de conexión rápida)
 D - Spray wand (tubo de rociador)
 E - Pull back the quick-connect collar (tire del collar de conexión rápida)
 F - Push the nozzle into place (introduzca la boquilla en su lugar)
 G - Push the collar forward (empuje del collar adelante)

Fig. 17



A - Injection hose (manguera de inyección)
 B - Detergent container (recipiente del detergente)

Fig. 18

**MOVING THE PRESSURE WASHER
 PARA MOVER LA MÁQUINA**

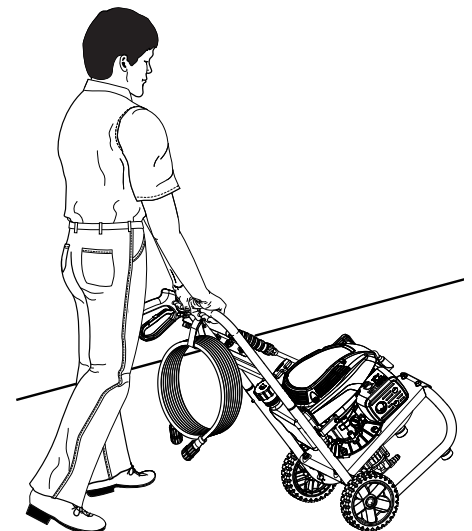
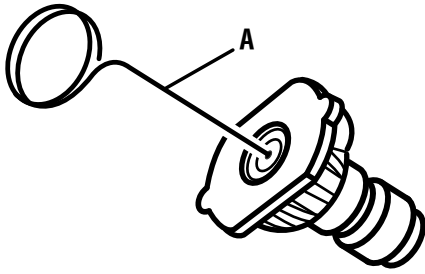
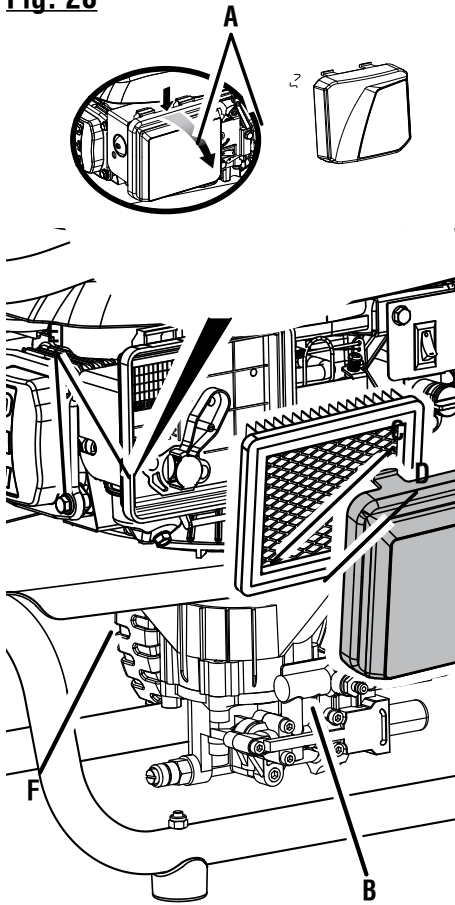


Fig. 19



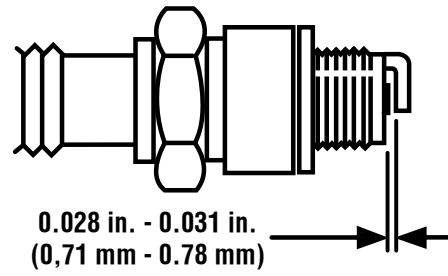
A - Nozzle cleaning tool (limpiador de boquillas)

Fig. 20



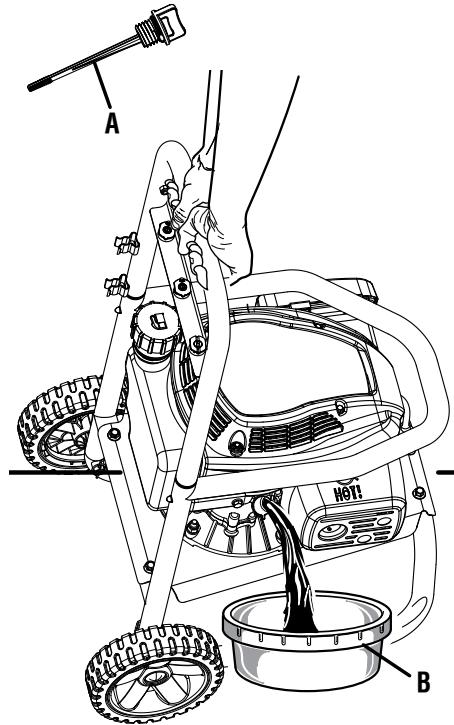
A - Air filter latch (traba del filtro de aire)
B - Air filter cover (tapa del filtro de aire)
C - Air filter (filtro de aire)
D - Tabs (legüetas)
E - Notches (ranuras)
F - Hinge (bisagra)

Fig. 21



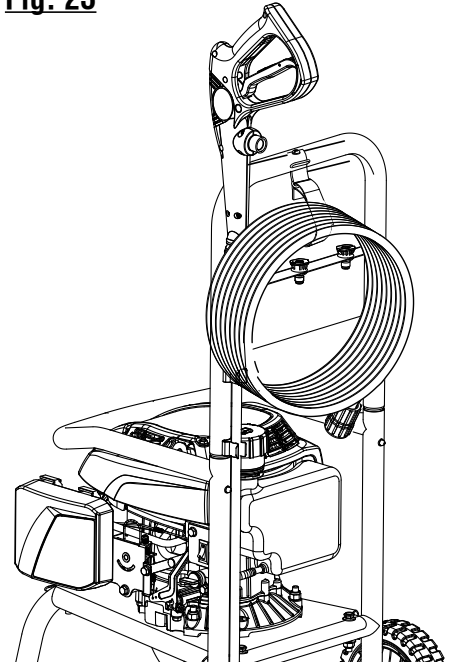
0.028 in. - 0.031 in.
(0.71 mm - 0.78 mm)

Fig. 22



A - Oil cap/dipstick (tapa del aceite con varilla de nivel)
B - Container (recipiente)

Fig. 23



**TO STORE THE MACHINE
PARA GUARDAR LA MÁQUINA**

TABLE OF CONTENTS

ÍNDICE DE CONTENIDO

■ Introduction	2
Introducción	
■ Important Safety Instructions	3
Reglas de seguridad generales	
■ Specific Safety Rules.....	4
Reglas de seguridad específicas	
■ Symbols.....	5-6
Símbolos	
■ Features.....	7
Características	
■ Tools Needed.....	7
Herramientas necesarias	
■ Assembly	8-9
Armado	
■ Operation.....	10-13
Funcionamiento	
■ Maintenance	14-16
Mantenimiento	
■ Troubleshooting	17
Solución de problemas	
■ Warranty	18-20
Garantía	
■ Parts Ordering and Service	Back Page
Pedidos de piezas y servicio	Pág. posterior

INTRODUCTION

INTRODUCCIÓN

This product has many features for making its use more pleasant and enjoyable. Safety, performance, and dependability have been given top priority in the design of this product making it easy to maintain and operate.

* * *

Este producto ofrece numerosas características para hacer más agradable y placentero su uso. En el diseño de este producto se ha conferido prioridad a la seguridad, el desempeño y la fiabilidad, por lo cual se facilita su manejo y mantenimiento.

IMPORTANT SAFETY INSTRUCTIONS

WARNING:

Read and understand all instructions. Failure to follow all instructions listed below may result in electric shock, fire and/or carbon monoxide poisoning which will cause death or serious personal injury.

READ ALL INSTRUCTIONS




- **Know your tool.** Read the operator's manual carefully. Learn the machine's applications and limitations as well as the specific potential hazards related to this tool.
- **Keep guards in place and** in working order. Never operate the tool with any guard or cover removed. Make sure all guards are operating properly before each use.
- **Remove adjusting keys and wrenches.** Form habit of checking to see that keys and adjusting wrenches are removed from tool before turning it on.
- **To reduce the risk of injury,** keep children and visitors away. All visitors should wear safety glasses and be kept a safe distance from work area.
- **Keep the area of operation clear of all persons,** particularly small children, and pets.
- **Do not start or operate the engine in a confined space, building, near open windows, or in other unventilated space** where dangerous carbon monoxide fumes can collect. Carbon monoxide, a colorless, odorless, and extremely dangerous gas, can cause unconsciousness or death.
- **Use right tool.** Don't force tool or attachment to do a job it was not designed for. Don't use it for a purpose not intended.
- **Dress properly.** Do not wear loose clothing, gloves, neckties, or jewelry. They can get caught and draw you into moving parts. Rubber gloves and nonskid footwear are recommended when working outdoors. Also wear protective hair covering to contain long hair.
- **Do not operate the equipment while barefoot or when wearing sandals or similar lightweight footwear.** Wear protective footwear that will protect your feet and improve your footing on slippery surfaces.
- **Exercise caution to avoid slipping or falling.**
- **Always wear eye protection with side shields marked to comply with ANSI Z87.1.** Following this rule will reduce the risk of serious personal injury.
- **Don't overreach or stand on unstable support.** Keep proper footing and balance at all times.
- **Use only recommended accessories.** The use of improper accessories may cause risk of injury.
- **Follow the maintenance instructions specified in this manual.**
- **Check damaged parts.** Before further use of the tool, a guard or other part that is damaged should be carefully checked to determine that it will operate properly and perform its intended function. Check for alignment of moving parts, binding of moving parts, breakage of parts, mounting, and any other conditions that may affect its operation. A guard or other part that is damaged must be properly repaired or replaced by an authorized service center to avoid risk of personal injury.
- **Never leave tool running unattended. Turn power off.** Don't leave tool until it comes to a complete stop.
- **Keep the engine free of grass, leaves, or grease** to reduce the chance of a fire hazard.
- **Keep the exhaust pipe free of foreign objects.**
- **Follow manufacturer's recommendations for safe loading, unloading, transport, and storage of machine.**
- **Be thoroughly familiar with controls.** Know how to stop the product and bleed pressure quickly.
- **Keep tool dry, clean, and free from lubricant and grease.** Always use a clean cloth when cleaning. Never use brake fluids, gasoline, petroleum-based products, or any solvents to clean tool.
- **Stay alert and exercise control.** Watch what you are doing and use common sense. Do not operate tool when you are tired. Do not rush.
- **Do not operate the product while under the influence of drugs, alcohol, or any medication.**
- **Check the work area before each use.** Remove all objects such as rocks, broken glass, nails, wire, or string which can be thrown or become entangled in the machine.
- **Do not use tool if switch does not turn it off.** Have defective switches replaced by an authorized service center.
- **Before cleaning, repairing, or inspecting,** shut off the engine and make certain all moving parts have stopped. Disconnect the spark plug wire, and keep the wire away from the plug to prevent accidental starting.
- **Avoid dangerous environment.** Don't use in damp or wet locations or expose to rain. Keep work area well lit.
- **Never use in an explosive atmosphere.** Normal sparking of the motor could ignite fumes.
- **Do not operate while smoking or near an open flame.**
- **Do not operate around** dry brush, twigs, cloth rags, or other flammable materials.
- **WARNING: Risk of injection or injury** – Do not direct discharge stream at persons.

SPECIFIC SAFETY RULES









- **Never direct a water stream toward people or pets, or any electrical device.**
- **Before starting any cleaning operation**, close doors and windows. Clear the area to be cleaned of debris, toys, outdoor furniture, or other objects that could create a hazard.
- **Never pick up or carry a machine while the engine is running.**
- **Never start the machine** if ice has formed in any part of the equipment.
- **Do not use acids, alkalines, solvents, flammable material, bleaches, or industrial grade solutions** in this product. These products can cause physical injuries to the operator and irreversible damage to the machine.
- **Always operate the machine** on a level surface. If the engine is on an incline, it could seize due to improper lubrication (even at the maximum lubricant level).
- **WARNING: High pressure jets can be dangerous if subject to misuse.** The jet must not be directed at persons, animals, electrical devices, or the machine itself.
- **Hold the handle and wand securely with both hands.** Expect the trigger handle to move when the trigger is pulled due to reaction forces. Failure to do so could cause loss of control and injury to yourself and others.
- **Never attempt to make any adjustments while the engine (motor) is running** (except where specifically recommended by the manufacturer).
- **Protective covers must always cover rotating parts when the engine is running.**
- **Keep cooling air intake** (recoil starter area) and muffler side of the engine at least 3 feet away from buildings, obstructions, and other combustible objects.
- **Keep the engine away from flammables and other hazardous materials.**
- **Keep away from hot parts.** The muffler and other engine parts become very hot; use caution.
- **Do not touch the spark plug and ignition cable** when starting and operating the engine.
- **Check fuel hoses and joints** for looseness and fuel leakage before each use.
- **Check bolts and nuts** for looseness before each use. A loose bolt or nut may cause serious engine problems.
- **Always refuel outdoors.** Never refuel indoors or in a poorly ventilated area.
- **Never store the machine with fuel in the fuel tank inside a building** where ignition sources are present, such as hot water and space heaters, clothes dryers, and the like.
- **If the fuel tank has to be drained, do this outdoors.**
- **To reduce the risk of fire and burn injury**, handle fuel with care. It is highly flammable.
- **Do not smoke while handling fuel.**
- **Add fuel before starting the engine.** Never remove the cap of the fuel tank or add fuel while the engine is running or when the engine is hot.
- **Loosen fuel cap slowly** to release pressure and to keep fuel from escaping around the cap.
- **Replace all fuel tank and container caps securely.**
- **Wipe spilled fuel from the unit.** Move 30 feet away from refueling site before starting engine.
- **If fuel is spilled**, do not attempt to start the engine but move the machine away from the area of spillage and avoid creating any source of ignition until fuel vapors have dissipated.
- **Never attempt to burn off spilled fuel under any circumstances.**
- **Before storing, allow the engine to cool.**
- **Store fuel in a cool, well-ventilated area**, safely away from spark and/or flame-producing equipment.
- **Store fuel in containers** specifically designed for this purpose.
- **Empty fuel tank and restrain the unit from moving** before transporting in a vehicle.
- **When servicing use only identical replacement parts.** Use of any other parts may create a hazard or cause product damage.
- **Only use cold water.**
- **Make sure minimum clearance** of 3 feet is maintained from combustible materials.
- **Never spray close to the surface** to be cleaned as you can damage the surface.
- **For outdoor use only.**
- **Ensure the high pressure hose is properly connected before using the product.**
- **Save these instructions.** Refer to them frequently and use them to instruct other users. If you loan someone this tool, loan them these instructions also.

SYMBOLS

The following signal words and meanings are intended to explain the levels of risk associated with this product.


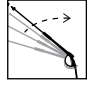


SYMBOL	SIGNAL	MEANING
	DANGER:	Indicates an imminently hazardous situation, which, if not avoided, will result in death or serious injury.
	WARNING:	Indicates a potentially hazardous situation, which, if not avoided, could result in death or serious injury.
	CAUTION:	Indicates a potentially hazardous situation, which, if not avoided, may result in minor or moderate injury.
	NOTICE:	(Without Safety Alert Symbol) Indicates important information not related to an injury hazard, such as a situation that may result in property damage.

Some of the following symbols may be used on this product. Please study them and learn their meaning for safe operation of this product.

SYMBOL	NAME	EXPLANATION
	Safety Alert	Indicates a potential personal injury hazard.
	Read Operator's Manual	To reduce the risk of injury, user must read and understand operator's manual before using this product.
	Eye Protection	Always wear eye protection with side shields marked to comply with ANSI Z87.1.
	Wet Conditions Alert	Do not expose to rain or use in damp locations.
	Hot Surface	To reduce the risk of injury or damage, avoid contact with any hot surface.
	Risk of Injections	To reduce the risk of injection or injury, never direct a water stream towards people or pets or place any body part in the stream. Leaking hoses and fittings are also capable of causing injection injury. Do not hold hoses or fittings.
	Risk of Explosion	Fuel and its vapors are explosive and can cause severe burns or death.
	Risk of Fire	Fuel and its vapors are extremely flammable and explosive. Fire can cause severe burns or death.

SYMBOLS

Some of the following symbols may be used on this product. Please study them and learn their meaning for safe operation of this product.

SYMBOL	NAME	EXPLANATION
	Toxic Fumes	Gas products emit carbon monoxide, an odorless, colorless, poison gas. Breathing carbon monoxide can cause nausea, fainting, or death.
	Kickback	To reduce the risk of injury from kickback, hold the spray wand securely with both hands when the machine is on.
	Electric Shock	Failure to use in dry conditions and to observe safe practices can result in electric shock.
	Chemical Burns	To reduce the risk of injury or damage, DO NOT USE ACIDS, ALKALINES, BLEACHES, SOLVENTS, FLAMMABLE MATERIAL, OR INDUSTRIAL GRADE SOLUTIONS in this product.

FEATURES

PRODUCT SPECIFICATIONS

Fuel Tank Capacity	0.25 gal.
Maximum Pounds Per Square Inch Pressure*	2,200 psi
Maximum Gallons Per Minute*	2.0 gpm
Maximum Inlet Water Temperature	104°F

*Max. rating determined by PWMA Standard 101

KNOW YOUR PRESSURE WASHER

See Figure 1.

The safe use of this product requires an understanding of the information on the tool and in this operator's manual as well as a knowledge of the project you are attempting. Before use of this product, familiarize yourself with all operating features and safety rules.

AUTOMATIC DETERGENT INJECTION SYSTEM

Place the detergent injection hose with filter into your desired pressure washer detergent to apply detergent quickly and easily to your cleaning project. Use of the soap nozzle will activate the detergent injector at a 20:1 dilution ratio.

FUEL TANK

This fuel tank has a maximum capacity of 0.25 gal. Use unleaded automotive gasoline in the engine.

HOSE STORAGE

Once the high pressure hose is rolled, hang it on the machine using the hook-and-loop strap to secure in place.

ON/OFF SWITCH

To turn the engine off, press the **ON/OFF** switch.

RECOIL STARTER

The recoil starter is pulled to start the machine.

SOAP NOZZLE

The blue soap nozzle is used to apply detergent at low pressure only.

THERMAL RELIEF VALVE

This pump feature will prevent water temperatures from reaching harmful levels by releasing a small amount of water. Once the water has drained, the thermal relief valve will reset itself.

NOTE: If the pressure washer is sitting on grass when the thermal relief valve releases hot water, burn spots on the grass may occur.

TRIGGER HANDLE

The trigger handle has a gripping surface that provides added control of the spray wand and helps reduce fatigue. Both the trigger handle and spray wand have storage areas located on the sides of the machine.

TRIGGER WITH LOCK OUT

Pulling the trigger releases a stream of water for high pressure cleaning. The lock out provides protection against unauthorized use.

TOOLS NEEDED

The following tools (not included or drawn to scale) are needed for assembly:

See Figure 1a.

- Combination wrench

ASSEMBLY

UNPACKING

This product requires assembly.

- Carefully remove the product and any accessories from the box. Make sure that all items listed in the packing list are included.

WARNING:

Do not use this product if any parts on the Packing List are already assembled to your product when you unpack it. Parts on this list are not assembled to the product by the manufacturer and require customer installation. Use of a product that may have been improperly assembled could result in serious personal injury.

NOTE: This tool is heavy. To avoid back injury, lift with your legs, not your back, and get help when needed.

- Inspect the tool carefully to make sure no breakage or damage occurred during shipping.
- Do not discard the packing material until you have carefully inspected and satisfactorily operated the tool.
- If any parts are damaged or missing, please call 1-877-617-3501 for assistance.

PACKING LIST

Pressure Washer
25 ft. High Pressure Hose
Trigger Handle
Spray Wand
Quick-Connect Nozzles (3) with Nozzle Storage
Injection Hose
Handle
Wheel (2)
Axle (2)
Hitch Pin (2)
Bolt (2)
Lock Nut
Upper Spray Wand Holder
4-Cycle Engine Lubricant (SAE 30)
Disposable Funnel
Operator's Manual

WARNING:

If any parts are damaged or missing do not operate this product until the parts are replaced. Use of this product with damaged or missing parts could result in serious personal injury.

WARNING:

Do not attempt to modify this product or create accessories not recommended for use with this product. Any such alteration or modification is misuse and could result in a hazardous condition leading to possible serious personal injury.

WARNING:

To prevent accidental starting that could cause serious personal injury, always disconnect the engine spark plug wire from the spark plug when assembling parts.

ATTACHING THE WHEEL ASSEMBLY

See Figure 2.

To attach the wheels to the pressure washer base:

- Locate the axle, hitch pins, and wheels. Remove the hitch pin from the axle.
- Slide the axle through the hole in the center of the wheel.
- Lift the machine and slide the combination into the wheel mounting hole in the machine base as shown.
- Push the hitch pin into the hole on the end of the axle to secure the wheel assembly.

NOTE: The hitch pin should be pushed into the axle until the center of the pin rests on top of the axle.

- Repeat with the second wheel.

INSTALLING HANDLE AND WAND HOLDER

See Figures 3 - 5.

Installing handle:

- Align the handle with the holes in the frame.
- Push and hold the button on the handle as you slide the handle into the holes in the frame.

Installing spray wand holders:

- Align upper spray wand holder with holes in handle, as shown.
- Slide long side of upper spray wand holder through handle and tighten securely with lock nut.
- Loosen lock nut on lower wand bracket. Rotate lower spray wand holder outward about 90 degrees and tighten securely.
- Place end of assembled wand into lower bracket. Wand should then rest easily on upper bracket.

ATTACHING INJECTION HOSE

See Figure 6.

Before detergent can be used with this machine, the injection hose must be attached.

- Push the open end of the clear injection hose securely over the fitting as shown.

ASSEMBLY

NOTE: Keep injection hose away from hot surfaces.

- Place the filtered end of the injection hose in the bottle of detergent.

ASSEMBLING THE SPRAY WAND TO THE TRIGGER HANDLE

See Figure 7.

- Place the threaded end of the spray wand in the connector on the end of the trigger handle.
- Turn the connector clockwise until it stops. This secures the spray wand in place.

CONNECTING HIGH PRESSURE HOSE TO TRIGGER HANDLE ASSEMBLY

See Figure 8.

- Screw the collar on the high pressure hose into the trigger handle inlet coupler by turning the hose collar clockwise. **Tighten securely.**

NOTE: Be careful to avoid cross-threading, which can cause the trigger handle to leak during use.

- Pull on the hose to be certain it is properly secured.

CONNECTING THE HIGH PRESSURE HOSE TO THE PUMP

See Figure 9.

- Completely uncoil and straighten the high pressure hose to prevent kinks.

NOTE: See **Using The High Pressure Hose** in *OPERATION* for more information about using the high pressure hose.

- Align the collar on the threaded outlet on the pump.
- Insert the hose on the end of the high pressure hose collar into the threaded outlet.
- Turn the collar clockwise to tighten the hose securely to the pump.

NOTE: Be careful to avoid cross-threading, which can cause the hose to leak during use.

- Pull on the hose to be certain it is properly secured.

CONNECTING THE GARDEN HOSE TO THE PRESSURE WASHER

See Figure 10.

⚠ CAUTION:

Always observe all local regulations when connecting hoses to the water main. Some areas have restrictions against connecting directly to public drinking water supply to prevent the feedback of chemicals into the drinking water supply. Direct connection through a receiver tank or backflow preventer is usually permitted.

The water supply must come from a water main. NEVER use hot water or water from pools, lakes, etc. Before connecting the garden hose to the pressure washer:

- Run water through the hose for 30 seconds to clean any debris from the hose.
- Inspect the screen in the water intake.
- If the screen is damaged, do not use the machine until the screen has been replaced.
- If the screen is dirty, clean it before connecting the garden hose to the machine.

To connect the garden hose to the machine:

- Completely uncoil the garden hose or remove completely from reel to prevent kinks.

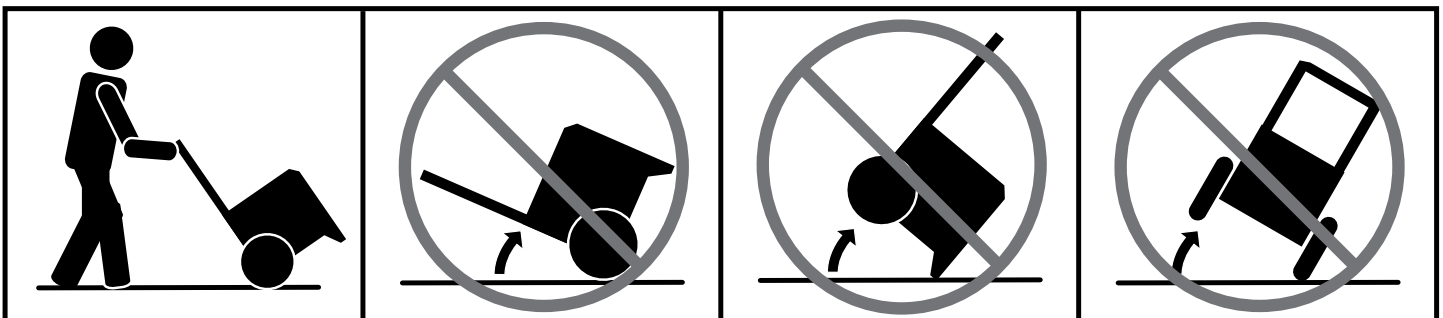
NOTE: There must be a minimum of 10 feet of unrestricted hose between the pressure washer intake and the hose faucet or shut off valve (such as a “Y” shut off connector).

- With the hose faucet turned completely off, attach the end of the garden hose to the water intake. Tighten by hand.

NOTICE:

Do not run the pressure washer pump without water supply connected and turned on, as this may damage the high pressure seals and decrease pump life. Completely unwind the hose from its reel or coil and make sure the hose is not being restricted by tires, rocks, or any other objects that may lessen or prevent water flow to the pressure washer.

DO NOT OVERTILT THE UNIT!



OPERATION

⚠ WARNING:

Do not allow familiarity with tools to make you careless. Remember that a careless fraction of a second is sufficient to inflict serious injury.

⚠ WARNING:

Always wear eye protection with side shields marked to comply with ANSI Z87.1. Failure to do so could result in objects being thrown into your eyes resulting in possible serious injury.

⚠ WARNING:

Do not use any attachments or accessories not recommended by the manufacturer of this tool. The use of attachments or accessories not recommended can result in serious personal injury.

⚠ WARNING:

Never direct a water stream toward people or pets, or any electrical device. Failure to heed this warning could result in serious injury.

APPLICATIONS

You may use this tool around the house for cleaning most small to large horizontal or vertical exterior surfaces, smaller exterior objects and structures, and outdoor equipment and tools.* You can:

- Clean or remove mold and mildew from weathered decks, driveways, patios, walkways, sidewalks, etc.
- Remove dirt from various exterior vertical surfaces such as house exteriors, siding, fences, brick, concrete or stone walls, etc.
- Wash boats, outdoor furniture, powered or non-powered garden equipment, gutters, window screens, grills, playground equipment, etc.

**Always test in an inconspicuous area first.*

ADDING/CHECKING ENGINE LUBRICANT

See Figure 11.

NOTE: This machine has been shipped with approximately 2 oz. of lubricant in the engine from testing. **You must add lubricant to the engine before starting it the first time.**

NOTICE:

Any attempt to start the engine without adding lubricant will result in engine failure.

To add engine lubricant:

- Place pressure washer on a flat, level surface. Do not tilt.
- Unscrew the oil cap/dipstick by turning counter-clockwise.
- Before first use, pour entire contents of the oil container provided into the oil reservoir.

After initial use, add 4-stroke engine lubricant (SAE 30 or SAE 10W30) until the fluid level rises to the upper portion of the hatched area on the dipstick. **Do not overfill.**

- Replace the oil cap/dipstick and securely tighten.

NOTE: This engine has a total lubricant capacity of 15 oz.

To check engine lubricant level:

- Place pressure washer on a flat, level surface. Do not tilt.
- Unscrew the oil cap/dipstick by turning counter-clockwise.
- Wipe dipstick clean and re-seat in hole; do not rethread.
- Remove dipstick again and check lubricant level. Lubricant level should fall within the hatched area on the dipstick.
- If level is low, add engine lubricant until the fluid level rises to the upper portion of the hatched area on the dipstick.
- Replace and secure the oil cap/dipstick.

NOTICE:

Do not overfill. Overfilling the crankcase may cause excessive smoke and engine damage.

OXYGENATED FUELS

DO NOT USE E15 OR E85 FUEL IN THIS UNIT. IT IS A VIOLATION OF FEDERAL LAW AND WILL DAMAGE THE UNIT AND VOID YOUR WARRANTY.



NOTE: Fuel system damage or performance problems resulting from the use of an oxygenated fuel containing more than the percentage of oxygenates stated below **are not covered under warranty.**

Ethanol. Gasoline containing up to 10% ethanol by volume (commonly referred to as E10) is acceptable. **E15 and E85 are not.**

OPERATION

ADDING GASOLINE TO THE FUEL TANK

See Figure 12.

WARNING:

Gasoline and its vapors are highly flammable and explosive. To prevent serious personal injury and property damage, handle gasoline with care. Keep away from ignition sources, handle outdoors only, do not smoke while adding fuel, and wipe up spills immediately.

When adding gas to the pressure washer, make sure the unit is sitting on a flat, level surface. If the engine is hot, let the pressure washer cool before adding gas. ALWAYS fill the fuel tank outdoors with the machine turned off.

NOTE: This is a 4-cycle engine. DO NOT mix fuel and lubricant together.

- Mix fuel stabilizer with gasoline according to fuel stabilizer manufacturer's directions.
- Before removing the fuel cap, clean the area around it. Remove the fuel cap.
- Insert a clean funnel into the fuel tank then slowly pour gasoline into the tank. Fill tank to approximately 1-1/2 in. below the top of the tank neck (this allows for fuel expansion).
- Replace fuel cap and tighten until the cap "clicks".
- Clean up any spills before starting the engine.

PUMP LUBRICANT

The pressure washer pump has been filled with sufficient lubricant at the factory. You do not need to check or add lubricant to the pump.

STARTING AND STOPPING THE PRESSURE WASHER

See Figures 13 - 14.

NOTICE:

Do not run the pressure washer pump without water supply connected and turned on, as this may damage the high pressure seals and decrease pump life. Completely unwind the hose from its reel or coil and make sure the hose is not being restricted by tires, rocks, or any other objects that may lessen or prevent water flow to the pressure washer.

Before starting the engine:

- Connect all hoses.
- Check all fluids (lubricant and gas).
- Turn on the garden hose then pull the trigger to relieve air pressure; hold the trigger until a steady stream of water appears.

NOTE: Make sure the faucet is turned on fully and that there are no kinks or leaks in the hose.

To start the engine:

- Turn the fuel valve to the ON position.
- Put the ON/OFF switch in the ON position.
- Push primer bulb 3 times.

NOTE: If starting the engine for the first time, push the primer bulb 5 times.

- Grasp the recoil starter and pull slowly until resistance is felt. Give the starter grip and rope a short, brisk pull to start the engine.

NOTE: Do not allow the starter grip and rope to snap back after starting; return it gently to its original place.

NOTICE:

If the engine does not start after each pull of the starter grip and rope, squeeze the trigger to relieve water pressure before attempting to start the engine again.

To stop the engine:

- Put the engine switch in the OFF position.
- Turn the fuel valve to the OFF position.

NOTE: Shutting OFF (O) the engine will not relieve pressure in the system. **Pull trigger to release water pressure.**

To stop the engine in an emergency situation:

- Put the engine switch in the OFF position.

WARNING:

Hold the handle and wand securely with both hands. Expect the trigger handle to move when the trigger is pulled due to reaction forces. Failure to do so could cause loss of control and injury to yourself and others.

USING THE SPRAY WAND TRIGGER

See Figure 15.

- Pull back and hold the trigger to operate the pressure washer.
- Release the trigger to stop the flow of water through the nozzle.

To engage the lock out:

- Push up on the lock out until it clicks into the slot.

To disengage the lock out:

- Push the lock out down and into its original position.

To use the spray wand, start with the nozzle 1-2 ft. away from the cleaning surface. Carefully approach the surface just until the desired level of cleaning is achieved. If the spray is too close it can damage the cleaning surface.

OPERATION

SELECTING THE RIGHT NOZZLE FOR THE JOB

See Figure 16.

Each of the nozzles has a different spray pattern. Before starting any cleaning job, determine the best nozzle for the job. Refer to the **Nozzle Selection Guide** for more information about which nozzle to choose.

WARNING:

NEVER change nozzles without locking the lock out on the trigger handle and NEVER point the wand at your face or at others. The quick-connect feature contains small springs that could eject the nozzle with some force. Failure to heed this warning could cause personal injury.

Using the quick-connect collar, changing nozzles is easy.

To connect a nozzle to the trigger handle:

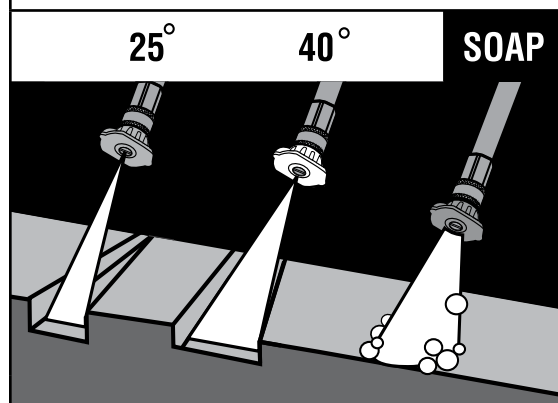





- Turn off the pressure washer and shut off the water supply. **Pull trigger to release water pressure.**
- Engage the lock out on the trigger handle by pushing up on the lock out until it clicks into the slot.

- Pull back the quick-connect collar.
- Push the nozzle into place in the spray wand.
- Push the collar forward so that the nozzle is secured properly. Check to see that the nozzle is secure.

To disconnect a nozzle from the trigger handle once the cleaning job is complete:

- Turn off the pressure washer and shut off the water supply. **Pull trigger to release water pressure.**
- Engage the lock out on the trigger handle by pushing up on the lock out until it clicks into the slot.
- Pull back and hold the quick-connect collar.
- Remove the nozzle by pulling it from the quick-connect collar. Place nozzle in the nozzle storage area on the top of the machine.

NOZZLE SELECTION GUIDE

		HIGH PRESSURE (NO SOAP)		LOW PRESSURE (FOR SOAP OR GENTLE RINSE)
		25° Green ▼	40° White ▼	Blue Soap Nozzle 
Concrete, Brick, Masonry		✓	✓	✓
Siding, Gutters, House		✓	✓	✓
Fencing, Deck, Patio		✓	✓	✓
Lawn Equipment, Boat, RV		✓	✓	✓
		✓ Recommended nozzle	✓ Use with caution for certain applications	

OPERATION

USING THE HIGH PRESSURE HOSE

The high pressure hose features an outer covering that provides strength to the hose. If the outer covering becomes damaged, the hose must be replaced immediately. **Do not use a high pressure hose if the outer covering is damaged.**

To prevent damage to the outer covering:

- Inspect the hose before every use.
- Fully unwrap and straighten hose before use.
- Do not allow the high pressure hose to be kinked.
- Keep hose away from hot surfaces and sharp edges.
- Do not pull unit by high pressure hose.
- Do not allow hose to be crushed or wrapped around objects.

WASHING WITH DETERGENT

See Figure 17.

As sold, this unit is designed for use with “downstream” pressure washer detergents. To convert for use with “upstream” detergents, contact an authorized customer service center for more information.

Use only detergents designed for pressure washers; household detergents, acids, alkalines, bleaches, solvents, flammable material, or industrial grade solutions can damage the pump. Many detergents may require mixing prior to use. Prepare cleaning solution as instructed on the solution bottle. Always test in an inconspicuous area before beginning.

- Place the injection hose in the bottom of the detergent bottle / container.

NOTE: The machine setting of this unit is 20:1, which usually allows the use of 1 gallon pressure washer detergent without further dilution. Check your detergent instructions to be sure additional dilution is not necessary.

- Install the blue soap nozzle on the spray wand.
- Squeeze the trigger and wait approximately 5 seconds for the detergent to appear.
- Spray the detergent on a dry surface using long, even, overlapping strokes. To prevent streaking, do not allow detergent to dry on the surface.

Before shutting off the engine:

- Place the detergent injection hose in a bucket of clean water.
- Spray the clear water through the spray wand until the bucket is empty.
- If any soap remains in the spray, repeat with a second bucket of clean water.
- Shut off the engine.

NOTE: Shutting **OFF (O)** the engine will not relieve pressure in the system. **Pull trigger to release water pressure.**

RINSING WITH THE PRESSURE WASHER

- Turn off the pressure washer and shut off the water supply. Pull trigger to release water pressure.
- Engage the lock out on the trigger handle by pushing up on the lock out until it clicks into the slot.
- Remove the nozzle by placing hand over nozzle then pulling back the quick-connect collar. Place nozzle in the nozzle storage area on the machine.
- Select the right nozzle for the job. See the chart on the previous page for selecting the appropriate nozzle.
- Start at the top of the area to be rinsed and work down, overlapping the strokes.

MOVING THE PRESSURE WASHER

See Figure 18.

NOTE: Never lift or carry this product using the handle.

- Turn the pressure washer off.
- Standing at the back of the machine, grasp the handle firmly with both hands.
- Tilt the machine toward you slightly until it balances on the wheels then roll the machine to the desired position. Do not tilt forward or sideways when moving.

HIGH ALTITUDE OPERATION

Specific modifications are needed for high-altitude operation. Please contact your authorized service center for important information regarding these modifications. Operating this engine without the proper altitude modification may increase the engine’s emissions and decrease fuel economy and performance.

MAINTENANCE

WARNING:

When servicing, use only identical replacement parts. Use of any other parts could create a hazard or cause product damage.

WARNING:

Always wear eye protection with side shields marked to comply with ANSI Z87.1. Failure to do so could result in objects being thrown into your eyes resulting in possible serious injury.

WARNING:

Before inspecting, cleaning or servicing the machine, shut off engine, wait for all moving parts to stop, and disconnect spark plug wire and move it away from spark plug. Failure to follow these instructions can result in serious personal injury or property damage.

GENERAL MAINTENANCE

Avoid using solvents when cleaning plastic parts. Most plastics are susceptible to damage from various types of commercial solvents and may be damaged by their use. Use clean cloths to remove dirt, dust, lubricant, grease, etc.

WARNING:

Do not at any time let brake fluids, gasoline, petroleum-based products, penetrating lubricants, etc., come in contact with plastic parts. Chemicals can damage, weaken or destroy plastic which could result in serious personal injury.

Only the parts shown on the parts list are intended to be repaired or replaced by the customer. All other parts should be replaced at an authorized service center.

Before running the engine, perform the following pre-operation steps:

- Check that all bolts, nuts, etc., are securely tightened.
- Make sure the air filter is clean.
- Check both the engine lubricant level and the fuel tank level; refill as needed.
- Inspect the work area for hazards.
- If there is excessive noise or vibration, stop the unit immediately.

NOZZLE MAINTENANCE

See Figure 19.

Excessive pump pressure (a pulsing sensation felt while pulling the trigger) may be the result of a clogged or dirty nozzle.

- Turn off the pressure washer and shut off the water supply. Pull trigger to release water pressure.
- Remove the nozzle from the spray wand.

NOTE: Never point the spray wand at your face.

- To free any foreign materials clogging or restricting the nozzle, blow out or remove debris with a fine needle.
- Using a garden hose, flush debris out of nozzle by back flushing (running the water through the nozzle backwards or from the outside to the inside).
- Reconnect the nozzle to the spray wand.
- Turn on the water supply and start the engine.

CLEANING/REPLACING THE AIR FILTER

See Figure 20.

A dirty air filter will cause starting difficulty, loss of performance, and shorten the life span of the engine. Check the air filter monthly. For best performance, replace the air filter at least once a year.

NOTE: DO NOT remove the shroud as you could disconnect or loosen the wire connecting the **OFF** switch to the engine making it inoperable.

- Press in on the latches to open the cover.
 - Remove the air filter cover.
 - Lift the edge of the air filter carefully and pull it out.
 - Wash the air filter with warm, soapy water.
 - Rinse and squeeze to dry.
 - Put small amount of motor lubricant (SAE 30) on the filter sponge. Squeeze out the excess lubricant then reinstall the air filter.
- NOTE:** Make sure the filter is seated properly inside the cover. Installing the filter incorrectly will allow dirt to enter the engine, causing rapid engine wear.
- To reinstall the air filter cover, insert the tabs into the notches. Close the cover and push the latch until it snaps into place.

CHECKING SPARK PLUG

See Figure 21.

- Clean the area around the base of the spark plug before removing to keep dirt and debris out of the engine. Remove spark plug.
- Clean off carbon deposits on the spark plug electrode using a plug cleaner or wire brush. Replace the plug if worn or reuse is questionable. (Recommended spark plug: Torch F6TC).
- Check electrode gap. The gap should be .028 in. - .031 in. (0.70- 0.80 mm). Adjust the gap, if necessary, by carefully bending the ground electrode.
- Reinstall spark plug. Tighten securely.

MAINTENANCE

CHANGING ENGINE LUBRICANT

See Figure 22.

- Shut off the engine.
- Clean the area around the lubricant drain plug, then remove the plug.
- Tilt the pressure washer on its side as shown. Drain lubricant into approved container.
NOTE: Drain the lubricant while the engine is still warm but not hot. Warm lubricant will drain quickly and more completely.
- After the crankcase is completely drained, return the pressure washer to an upright position.
- Replace the lubricant drain plug.
- Fill with lubricant following the instructions in **Adding Lubricant To The Engine** earlier in this manual.

NOTE: Consult hazardous waste management guidelines in your area for the proper way to dispose of used lubricant.

PUMP MAINTENANCE

Routinely make a visual inspection of the pump. If you notice any leaking of lubricant around the pump seals, take the pressure washer to an authorized service center for repair.

There are no user serviceable parts to the pressure washer pump. Any attempt to service or alter the pump may damage the pressure washer and void your product warranty.

STORING THE PRESSURE WASHER

See Figure 23.

NOTE: Regular use of fuel stabilizer and pump protector will give you better performance of the unit and increase the life of the pump. See the Replacement Parts List for available sizes and part numbers of these items and call customer service at 1-877-617-3501 to order.

Allow 30 minutes of “cool down” time before storing the machine. Store in a dry, covered area where the weather can’t damage it.

It is important to store this product in a frost-free area. Always empty water from all hoses, the pump, and the detergent bucket before storing.

- Drain the fuel tank completely by running the pressure washer until the gas runs out. Stored gas can go stale in 30 days.

NOTE: Make sure the water supply is connected and turned on when allowing the pressure washer engine to run.

- Make sure the on/off switch and fuel valve are in the OFF position.
- Disconnect the water connection.
- Empty the pump by pulling on the starter grip and rope about 6 times. This should remove most of the liquid from the pump.

NOTICE:

The use of a pump protector is strongly encouraged to prevent cold weather damage during storage over the winter months.

- Drain the lubricant and replace with fresh, clean lubricant as described in **Adding/Checking Engine Lubricant** in the *Operation* section of this manual.
- Disconnect spark plug wire and remove the spark plug. Pour about a teaspoon of clean, air-cooled, four-cycle lubricant through the spark plug hole into the combustion chamber.
- Leaving the spark plug out, pull the starter cord two or three times to coat the inside of the cylinder wall.
- Inspect the spark plug and clean or replace, as necessary.
- Reinstall the spark plug, but leave the spark plug wire disconnected.
- Clean the air filter.
- Extend the recoil starter rope to check its condition. If the rope is frayed, have it replaced immediately by an authorized service center.
- Remove all hoses. Coil the hoses and store as shown. Do not allow the hose to become kinked.
- Store the unit and accessories in an area that does not reach freezing temperatures. Do not store near furnace or other sources of heat that could dry out the pump seals.

PREPARING FOR USE AFTER STORAGE

- Pull the recoil starter grip three or four times to clean lubricant from the combustion chamber.
- Remove spark plug from the cylinder. Wipe lubricant from the spark plug and return it to the cylinder.
- Reconnect the spark plug wire.
- Refuel the machine as described earlier in the operator’s manual.

MAINTENANCE

PERIODIC MAINTENANCE SCHEDULE

Maintenance Items Perform at every indicated month or operating hour interval, whichever comes first	Before Each Use	First month or 5 hours	Every 3 months or 25 hours	Every 6 months or 50 hours	Every Year or 100 hours	Every 2 years or 250 hours
Check and refill engine lubricant	•					
Change engine lubricant *		•		•		
Check air filter	•					
Clean air filter			•			
Replace air filter						•
Check and adjust spark plug					•	
Replace spark plug						•

*Change engine lubricant every 25 hours when used under heavy load or in high ambient temperature. Dispose of waste lubricant safely and responsibly. Do not pour into sewage drains, onto garden soil or into open streams. Your local zoning or environmental regulations will give you more detailed instructions on proper disposal.

Maintenance items not listed here should be performed by a service center.

TROUBLESHOOTING

PROBLEM	CAUSE	SOLUTION
Engine fails to start	No fuel in tank Spark plug shorted or fouled Spark plug is broken (cracked porcelain or electrodes broken) Ignition lead wire shorted, broken, or disconnected from spark plug Ignition inoperative Unit is not primed.	Fill tank Replace spark plug Replace spark plug Replace lead wire or attach to spark plug Contact authorized service center Press the primer bulb 3 times (5 times if starting for the first time).
Engine hard to start	Water in gasoline Weak spark at spark plug	Drain entire system and refill with fresh fuel Contact authorized service center
Engine lacks power	Dirty air filter	Clean or replace air filter
Detergent fails to mix with spray	Detergent injection hose is not properly submerged High pressure nozzle attached	Insert injection hose into detergent storage bucket Use low pressure nozzle (black) to apply detergent
Pump doesn't produce pressure	Low pressure nozzle installed Inadequate water supply Spray wand leaks Nozzle is clogged Pump is faulty Air in line	Replace with high pressure nozzle Provide adequate water flow Check connections and / or replace wand Clean nozzle Contact authorized service center Squeeze trigger on spray wand to remove air from line
Machine doesn't reach high pressure	Diameter of garden hose is too small Water supply is restricted Not enough inlet water Wrong nozzle is attached	Replace with 3/4 in. garden hose Check garden hose for kinks, leaks, and blockages Open water source full force Attach the high pressure nozzle

WARRANTY

LIMITED NON-ENGINE WARRANTY STATEMENT

OWT Industries, Inc., (the Company) warrants to the original retail purchaser that this PowerStroke Product is free from defects in material and workmanship and agrees to repair or replace, at the Company's discretion, any defective Product free of charge within these time periods from the date of purchase:

- Two years, if the Product is used solely for personal, family, or household use;
- 90 days, if the Product is used for business or commercial use.

This warranty applies only to Products sold within the United States of America, the District of Columbia, Canada, Mexico, the Commonwealth of Puerto Rico, the Virgin Islands, or Guam.

This warranty is not transferable and does not cover damage resulting from defects other than in material or workmanship, or damage caused by unreasonable use, including the failure to provide reasonable and necessary maintenance.

Other items not covered under this warranty include:

- Transportation charges for sending the product to the Company or its authorized service representative for warranty service, or for shipping repaired or replacement products back to the customer; these charges must be borne by the original retail purchaser.
- Damages caused by abuse, accident, misuse, neglect, alteration, modification, the effects of corrosion, erosion, normal wear and tear or repairs by other than the Company or its authorized service representative.
- In addition this warranty does not cover:
 - Tune-ups – Spark Plugs, Carburetor, Carburetor Adjustments, Ignition, Filters, Lubricant Change
 - Wear items – Recoil Starter Rope, Engine Brushes, Cotter Pins, Wheels

Warranty is voided if the customer fails to install, maintain and operate the product in accordance with the instructions and recommendations of the Company as set forth in the Product's operator's manual or if the Product is used as rental equipment.

The Company will not pay for repairs or adjustments to the Product, or for any costs or labor, performed without the Company's prior authorization.

SAVE YOUR SALES SLIP

Proof of purchase in the form of your dated sales receipt, cash register slip, etc., will be required before the Company and/or its authorized service representatives can perform warranty service on the Product.

EXCLUSIONS AND LIMITATIONS

THIS LIMITED WARRANTY IS IN LIEU OF ALL OTHER EXPRESS WARRANTIES. ANY IMPLIED WARRANTY OF MERCHANTABILITY, FITNESS FOR A PARTICULAR PURPOSE, OR OTHERWISE, APPLICABLE TO THIS PRODUCT, SHALL BE LIMITED IN DURATION TO THE DURATION OF THIS LIMITED WARRANTY. THE WARRANTY SERVICE DESCRIBED ABOVE IS THE EXCLUSIVE REMEDY UNDER THIS WARRANTY. THE COMPANY SHALL NOT BE LIABLE FOR ANY SPECIAL, INCIDENTAL OR CONSEQUENTIAL DAMAGES.

SOME STATES DO NOT ALLOW A LIMITATION ON THE DURATION OF IMPLIED WARRANTIES, OR THE EXCLUSION OR LIMITATION OF INCIDENTAL, OR CONSEQUENTIAL DAMAGES, SO THE ABOVE LIMITATION OR EXCLUSION MAY NOT APPLY TO YOU.

HOW TO OBTAIN WARRANTY SERVICE

For warranty service: Call toll free 1-877-617-3501, or write to OWT Industries, Inc., P.O. Box 35, Hwy. 8, Pickens, SC 29671.

For warranty service outside the USA, please contact your local PowerStroke dealer.

WARRANTY

LIMITED ENGINE WARRANTY

CHONGQING RATO POWER CO., LTD. (herein "Rato"), warrants that each new engine sold by it will be free, under normal use and service, from defects in material and workmanship for a period listed below from the date of sale to the original retail purchaser. Rato's obligation under this Limited Warranty shall be limited to the repair and replacement, at Rato's option, of any part or parts which upon examination is/are found, in Rato's judgment, to have been defective in material or workmanship. It shall be a condition of Rato's obligation under this Limited Warranty that Rato, directly or through one of its Distributors or Service Centers authorized to service the particular engine involved, receive prompt notice of any warranty claim and that the engine or the part or parts claimed to be defective be promptly delivered, transportation prepaid, to such Distributor or Service Center for inspection and repair. All repairs qualifying under this Limited Warranty must be performed by Rato or one of its authorized Distributors or Service Centers.

WARRANTY PERIOD: Two (2) year limited engine warranty. If you have a question regarding your warranty coverage, call 1-877-617-3501.

The repair or replacement of any part or parts under this Limited Warranty shall not extend the term of the engine warranty beyond the original term as set forth above.

LIMITATIONS AND EXCLUSIONS: This Limited Warranty shall not apply to:

1. Bent or broken crankshaft or resultant damage caused by vibration related to a bent or broken crankshaft. Also, damage caused by loose engine mounting bolts or improper or imbalanced accessories or blades mounted to the crankshaft.
2. Repairs required because of prolonged storage including damage caused by old or contaminated fuel in the fuel tank, fuel lines, or carburetor, sticky valves or corrosion and rust of engine parts.
3. Repair required due to overheating. (Most often caused by overloaded or clogged or damaged or missing flywheel, fan, inlet air passages, cooling fins, or air shrouds.)

4. Dirt or grit related wear caused by improper air cleaner maintenance (most often resulting in worn piston, piston rings, cylinders, valves, valve guides, carburetor, or other internal components).
5. Broken or scored parts caused by low lubricant level, dirty, or improper grade of lubricant.
6. Engine tune-ups and normal maintenance service including, but not limited to, valve adjustment, normal replacement of service items, fuel, and lubricating oil, etc.
7. Any engine which has been subject to negligence, misuse, accident, misapplication, or overspeeding.
8. Any engine that has been installed, repaired, or altered by anyone in a manner which in Rato's sole judgment adversely affects its performance or reliability.
9. Any engine which has been fitted with or repaired with parts or components not manufactured or approved by Rato which in Rato's sole judgment adversely affects its performance or reliability.
10. Instances when normal use has exhausted the life of a component or an engine.

The customer is responsible for all transportation charges in connection with any warranty work.

Rato reserves the right to modify, alter, or improve any engines or parts without incurring any obligation to modify or replace any engine or parts previously sold without such modification, alternation, or improvement.

No person is authorized to give any other warranty or to assume any additional obligation on Rato's behalf unless made in writing and signed by an officer of Rato.

THIS WARRANTY, AND RATO'S OBLIGATION HERE UNDER, ARE IN LIEU OF ANY OTHER WARRANTIES OR OBLIGATIONS OF ANY KIND, EXPRESSED OR IMPLIED, INCLUDING ANY WARRANTIES OF MERCHANTABILITY OR FITNESS FOR A PARTICULAR PURPOSE. THERE ARE NO WARRANTIES WHICH EXTEND BEYOND THE DESCRIPTION ON THE FACE HERE-OF. RATO SHALL IN NO EVENT BE LIABLE FOR ANY CONSEQUENTIAL OR INCIDENTAL DAMAGES.

WARRANTY

CALIFORNIA AND FEDERAL EMISSION CONTROL WARRANTY STATEMENT YOUR WARRANTY RIGHTS AND OBLIGATIONS

The California Air Resources Board (CARB), the United States Environmental Protection Agency (EPA) and Chongqing Rato Power Co., Ltd (RATO), are pleased to explain the emission control system warranty on your small off-road engine. In the United States and California, new small off-road engines must be designed, built and equipped to meet the State's stringent anti-smog standards. RATO must warrant the emission control system on your small off-road engine for the periods of time listed below provided there has been no abuse, neglect or improper maintenance of your small off-road engine.

Your emission control system may include parts such as the carburetor or fuel injection system, the ignition system, and catalytic converter. Also included may be hoses, belts, connectors and other emission related assemblies.

Where a warrantable condition exists, RATO will repair your small off-road engine at no cost to you including diagnosis, parts and labor.

MANUFACTURER'S WARRANTY COVERAGE:

Emissions Control System is warranted for two years on small off-road engine. If any emission related part on your engine is defective, the part will be repaired or replaced by RATO. RATO provides warranty coverage for a period of two years.

OWNER'S WARRANTY RESPONSIBILITIES:

As the small off-road engine owner, you are responsible for the performance of the required maintenance listed in your owner's manual. RATO recommends that you retain all receipts covering maintenance on your small off-road engine, but RATO cannot deny warranty solely for the lack of receipts or for your failure to ensure the performance of all scheduled maintenance.

As the small off-road engine owner, you should however be aware that RATO may deny you warranty coverage if your small off-road engine or a part has failed due to abuse, neglect, improper maintenance or unapproved modifications.

You are responsible for presenting your small off-road engine to a RATO distribution center as soon as a problem exists. The warranty repairs should be completed in a reasonable amount of time, not to exceed 30 days.

If you have any questions regarding your warranty rights and responsibilities, you should contact RATO USA, LLC at 1-855-206-5286 or E-mail: lwang@greatlakestec.com, PowerStroke Customer Service at 1-877-617-3501 or E-mail: www.powerstroketools.com.

DEFECTS WARRANTY REQUIREMENTS:

(a) The warranty period begins on the date the engine or equipment is delivered to an ultimate purchaser.

(b) General Emissions Warranty Coverage.

RATO warrants to the ultimate purchaser and each subsequent owner that the engine or equipment is:

(1) Designed, built, and equipped so as to conform with all applicable regulations adopted by the Air Resources Board and the United States Environmental Protection Agency (U.S.EPA);

(2) Free from defects in materials and workmanship that causes the failure of a warranted part for a period of two years.

(c) The warranty on emissions-related parts will be interpreted as follows:

(1) Any warranted part that is not scheduled for replacement as required maintenance in the written instructions required by subsection (d) must be warranted for the warranty period defined in Subsection (b)(2). If any such part fails during the period of warranty coverage, it must be repaired or replaced by RATO according to Subsection (4) below. Any such part repaired or replaced under the warranty must be warranted for the remaining warranty period.

(2) Any warranted part that is scheduled only for regular inspection in the written instructions required by subsection (d) must be warranted for the warranty period defined in Subsection (b)(2). A statement in such written instructions to the effect of "repair or replace as necessary" will not reduce the period of warranty coverage. Any such part repaired or replaced under warranty must be warranted for the remaining warranty period.

(3) Any warranted part that is scheduled for replacement as required maintenance in the written instructions required by subsection (d) must be warranted for the period of time prior to the first scheduled replacement point for that part. If the part fails prior to the first

scheduled replacement, the part must be repaired or replaced by RATO according to Subsection (4) below. Any such part repaired or replaced under warranty must be warranted for the remainder of the period prior to the first scheduled replacement point for the part.

(4) Repair or replacement of any warranted part under the warranty must be performed at no charge to the owner at a warranty station.

(5) Notwithstanding the provisions of Subsection (4) above, warranty services or repairs must be provided at all RATO distribution centers that are franchised to service the subject engines.

(6) The owner must not be charged for diagnostic labor that leads to the determination that a warranted part is in fact defective, provided that such diagnostic work is performed at a warranty station.

(7) RATO is liable for damages to other engine components proximately caused by a failure under warranty of any warranted part.

(8) Throughout the emissions warranty period defined in Subsection (b)(2), RATO must maintain a supply of warranted parts sufficient to meet the expected demand for such parts.

(9) Any replacement part may be used in the performance of any warranty maintenance or repairs and must be provided without charge to the owner. Such use will not reduce the warranty obligations of RATO.

(10) Add-on or modified parts that are not exempted by the Air Resources Board may not be used. The use of any non-exempted add-on or modified parts will be grounds for disallowing a warranty claim. RATO will not be liable to warrant failures of warranted parts caused by the use of a non-exempted add-on or modified part.

(11) RATO issuing the warranty shall provide any documents that describe that manufacturer's warranty procedures or policies within five working days of request by the Air Resources Board.

d) Emission Warranty Parts List.

(1) Fuel Metering System

(i) Carburetor and internal parts (and/or pressure regulator or fuel injection system).

(ii) Air/fuel ratio feedback and control system.

(iii) Cold start enrichment system.

(iv) Fuel Tank.

(2) Air Induction System

(i) Controlled hot air intake system.

(ii) Intake manifold.

(iii) Air filter.

(3) Ignition System

(i) Spark Plugs.

(ii) Magneto or electronic ignition system.

(iii) Spark advance/retard system.

(4) Exhaust Gas Recirculation (EGR) System

(i) EGR valve body, and carburetor spacer if applicable.

(ii) EGR rate feedback and control system.

(5) Air Injection System

(i) Air pump or pulse valve.

(ii) Valves affecting distribution of flow.

(iii) Distribution manifold.

(6) Catalyst or Thermal Reactor System

(i) Catalytic converter.

(ii) Thermal reactor.

(iii) Exhaust manifold.

(7) Particulate Controls

(i) Traps, filters, precipitators, and any other device used to capture particulate emissions.

(8) Miscellaneous Items Used in Above Systems

(i) Electronic controls.

(ii) Vacuum, temperature, and time sensitive valves and switches.

(iii) Hoses, belts, connectors, and assemblies.

INSTRUCCIONES IMPORTANTES DE SEGURIDAD



ADVERTENCIA:

Lea y comprenda todas las instrucciones. El incumplimiento de todas las instrucciones siguientes puede causar descargas eléctricas, incendio o intoxicación por monóxido de carbono, lo cual puede causar la muerte o lesiones graves.

LEA TODAS LAS INSTRUCCIONES

- **Familiarícese con la herramienta.** Lea cuidadosamente el manual del operador. Aprenda los usos y limitaciones de la máquina, así como los posibles peligros específicos de esta herramienta.
- **Mantenga las protecciones en su lugar** y en buenas condiciones de trabajo. Nunca utilice la herramienta con ninguna de las protecciones o cubiertas quitadas. Asegúrese de que todas las protecciones estén funcionando de forma correcta antes de utilizar la unidad.
- **Retire toda llave y herramienta de ajuste.** Adquiera el hábito de verificar que se haya retirado de la herramienta eléctrica toda llave y herramienta de ajuste antes de encenderla.
- **Para reducir el riesgo de lesiones,** mantenga a alejados a niños y demás circunstantes. Todos los presentes deben llevar puestos anteojos de seguridad y permanecer a una distancia segura del área de trabajo.
- **Mantenga alejadas del área de trabajo a todas las personas,** particularmente a los niños de corta edad, y también a las mascotas.
- **No haga funcionar el motor en un espacio confinado** donde se puedan recolectar las emanaciones de monóxido de carbono. El monóxido de carbono, un gas incoloro, inodoro y sumamente peligroso, puede causar la pérdida de la conciencia o la muerte.
- **Use la herramienta adecuada a la tarea.** No fuerce la herramienta ni ningún accesorio a efectuar tareas para las que no están hechos. No la use para propósitos no indicados en las instrucciones.
- **Vístase adecuadamente.** No vista ropas, guantes, corbatas o joyas holgadas. Pueden resultar atrapadas y tirar de usted hacia piezas en movimiento. Se recomiendan guantes y calzado antiderrapantes al trabajar al aire libre. Si tiene el pelo largo cúbrase de alguna manera para contenerlo.
- **No accione el equipo cuando esté descalzo o al llevar puestas sandalias o calzado liviano similar.** Use calzado de seguridad que le proteja sus pies y mejore su postura en superficies resbaladizas.
- **Tenga suma precaución para evitar resbalarse o caer.**
- **Siempre póngase protección ocular con protección lateral con la marca de cumplimiento de la norma ANSI Z87.1.** Con el cumplimiento de esta regla se reduce el riesgo de lesiones corporales serias.
- **No se estire ni se pare en un soporte inestable.** Mantenga una postura firme y buen equilibrio en todo momento.
- **Utilice sólo accesorios recomendados.** El empleo de accesorios inadecuados puede presentar riesgos de lesiones.
- **Siga las instrucciones de la mantenimiento especificadas en este manual.**
- **Inspeccione las piezas dañadas.** Antes de seguir utilizando la herramienta, es necesario inspeccionar cuidadosamente toda protección o pieza dañada para determinar si funcionará correctamente y desempeñará la función a la que está destinada. Verifique la alineación de las partes móviles, que no haya atoramiento de las mismas, que no haya piezas rotas, el montaje de las piezas y cualquier otra condición que pudiera afectar su funcionamiento. Toda protección o pieza que esté dañada debe repararse apropiadamente o reemplazarse en un centro de servicio autorizado.
- **Nunca deje desatendida ninguna herramienta en funcionamiento. Apague la herramienta.** No se aleje de la herramienta hasta no verla completamente detenida.
- **Conserve el motor limpio de césped, hojas o grasa** a fin de reducir el riesgo de incendio.
- **Mantenga el tubo de escape libre de objetos extraños.**
- **Siga las recomendaciones del fabricante para lograr la carga, descarga, transporte y almacenamiento seguros de la máquina.**
- **Familiarícese completamente con los controles.** Aprenda a detener la máquina y a liberar rápidamente la presión.
- **Mantenga la herramienta seca, limpia y libre de lubricante y grasa.** Siempre utilice un paño limpio para la limpieza de la unidad. Nunca utilice fluidos para frenos, gasolina, productos a base de petróleo ni solventes para limpiar la herramienta.
- **Permanezca alerta y en control.** Preste atención a lo que esté haciendo y aplique el sentido común. No utilice la herramienta cuando esté cansado. No se apresure.
- **No utilice la unidad si se encuentra bajo los efectos de drogas, alcohol o medicamentos.**
- **Revise el área de trabajo cada vez antes de utilizar esta herramienta.** Retire todos los objetos como piedras, vidrio roto, clavos, alambre o cuerda que puedan salir disparados o enredarse en la máquina.
- **No utilice la herramienta si el interruptor no apaga.** Lleve todo interruptor defectuoso a un centro de servicio autorizado para que lo reparen.
- **Antes de limpiar, reparar o inspeccionar la máquina,** apague el motor y cerciórese de que se hayan detenido todas las partes en movimiento. Desconecte el cable de la bujía, y mantenga dicho cable alejado de la bujía para evitar el arranque accidental de la unidad.
- **Evite tener un entorno de trabajo peligroso.** No utilice herramientas eléctricas en lugares húmedos o mojados ni las exponga a la lluvia. Mantenga bien iluminada el área de trabajo.
- **Nunca utilice la unidad en una atmósfera explosiva.** El chispeo normal del motor podría encender los gases presentes.
- **No utilice la unidad mientras fuma ni cerca de llamas abiertas.**
- **No utilice la unidad cerca de vegetación o ramas secas,** paños de textiles ni otros materiales inflamables.
- **ADVERTENCIA: Riesgo de inyección o de lesión** – No dirija el chorro hacia las personas.

REGLAS DE SEGURIDAD ESPECÍFICAS

- **Nunca dirija un chorro de agua en dirección de personas o animales, ni hacia dispositivos eléctricos.**
- **Antes de iniciar cualquier operación de limpieza,** cierre puertas y ventanas. Despeje el área a limpiar y elimine cualesquier desechos, juguetes, muebles de patio u otros objetos que pudiesen crear un peligro.
- **Nunca alce ni transporte una máquina mientras se encuentre en marcha.**
- **Nunca ponga en marcha la máquina** si se ha formado hielo en cualquier parte del equipo.
- **No use soluciones ácidas, alcalinas, solventes, materiales inflamables o de grado industrial** en este producto. Estos productos pueden causar lesiones físicas al operador y daños irreparables a la máquina.
- **Siempre ponga en marcha la máquina** en superficies niveladas. Si el motor se encuentra inclinado, podría agarrotarse debido a la lubricación insuficiente (incluso con el nivel de lubricante al máximo).
- **ADVERTENCIA: Los chorros de alta presión pueden ser peligrosos si se utilizan indebidamente.** Nunca dirija el chorro a personas, animales, dispositivos eléctricos ni a la máquina misma.
- **Sujete el mango y el tubo firmemente con ambas manos.** Se espera que el mango del gatillo se mueva cuando se tire del gatillo como consecuencia de las fuerzas de reacción. La inobservancia de esta advertencia podría causar pérdida de control y lesiones a usted y a otras personas.
- **Nunca intente efectuar ajuste alguno mientras el motor está en marcha** (excepto cuando así lo recomiende específicamente el fabricante).
- **Cuando el motor esté en marcha, es imperativo que las cubiertas de protección cubran las partes en movimiento.**
- **Mantenga la entrada de aire de enfriamiento** (el área del arrancador retráctil) y el lado del silenciador alejados un mínimo de 91 cm (tres pies) de cualquier edificación, obstrucciones y otros objetos combustibles.
- **Mantenga alejado el motor de materiales inflamables y de otros materiales peligrosos.**
- **Evite el contacto con las partes calientes de la unidad.** El silenciador y otras partes del motor se calientan mucho; tenga precaución.
- **No toque la bujía ni el cable de ignición** durante el arranque ni durante el funcionamiento del motor.
- **Cada vez antes de usar la unidad, inspeccione las mangueras de combustible y los acoplamientos pertinentes** para verificar que no estén flojos ni haya derrames de combustible.
- **Antes de cada uso, inspeccione los pernos y las tuercas** para verificar que están apretados. Una tuerca o perno sueltos pueden causar problemas graves en el motor.
- **Siempre reabastezca el combustible al aire libre.** Nunca reabastezca el combustible en espacios interiores ni en áreas con ventilación insuficiente.
- **Nunca guarde la máquina con combustible en el tanque dentro de un edificio** donde haya presentes fuentes de ignición, como el agua caliente y calentadores locales, secadoras de ropa y cosas parecidas.
- **Si es necesario vaciar el tanque de combustible, hágalo al aire libre.**
- **Para reducir el riesgo de incendio o de lesiones por quemadura,** maneje con cuidado el combustible. Es sumamente inflamable.
- **No fume mientras esté mezclando el combustible o reabasteciendo el tanque.**
- **Reabastezca de combustible la unidad antes de arrancar el motor.** Nunca retire la tapa del tanque de combustible ni lo reabastezca mientras esté encendida o caliente la unidad.
- **Afloje la tapa del tanque de combustible lentamente** para aliviar la presión y evitar que se escape combustible por la tapa.
- **Vuelva a colocar firmemente la tapa del tanque de combustible y la del recipiente.**
- **Limpie todo el combustible que se haya derramado de la unidad.** Aléjese por lo menos 9 metros (30 pies) del sitio de reabastecimiento de combustible antes de encender el motor.
- **Si se derrama combustible,** no intente arrancar el motor; aleje la máquina del área del derramamiento y evite causar una fuente de ignición hasta que se disipen los vapores del combustible.
- **Nunca intente en ninguna circunstancia eliminar el combustible derramado quemándolo.**
- **Antes de guardar la unidad deje que se entrie el motor.**
- **Guarde la unidad en un lugar frío y bien ventilado,** a una distancia segura de todo equipo generador de chispas o llamas.
- **Guarde el combustible en recipientes diseñados específicamente para tal fin.**
- **Antes de transportar la unidad en un vehículo, vacíe** el tanque de combustible e inmovilícelo.
- **Al dar servicio a la unidad, sólo utilice piezas de repuesto idénticas.** El empleo de piezas diferentes puede causar un peligro o dañar el producto.
- **Use SOLAMENTE agua fría.**
- **Asegúrese de que haya una distancia mínima de 914 mm (tres pies)** de todo material combustible.
- **Nunca rocíe cierra a la superficie** para ser limpiado como usted puede dañar la superficie.
- **Luego de detener el motor, siempre presione el gatillo ubicado en el mango del gatillo para aliviar la presión acumulada en la manguera de alta presión.** La inobservancia de esta advertencia puede causar lesiones personales graves.
- **Para usarse sólo en el exterior.**
- **Asegúrese de que la manguera de alta presión esté conectada adecuadamente antes de usar el producto.**
- **Guarde estas instrucciones.** Consúltelas frecuentemente y utilícelas para instruir a otros usuarios. Si presta a alguien esta herramienta, facilítele también las instrucciones.

SÍMBOLOS

Las siguientes palabras de señalización y sus significados tienen el objeto de explicar los niveles de riesgo relacionados con este producto.



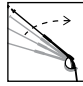


SÍMBOLO	SEÑAL	SIGNIFICADO
	PELIGRO:	Indica una situación peligrosa inminente, la cual, si no se evita, causará la muerte o lesiones serias.
	ADVERTENCIA:	Indica una situación peligrosa posible, la cual, si no se evita, podría causar la muerte o lesiones serias.
	PRECAUCIÓN:	Indica una situación potencialmente peligrosa la cual, si no se evita, puede causar lesiones leves o moderadas.
	AVISO:	(Sin el símbolo de alerta de seguridad) Indica información importante no relacionada con ningún peligro de lesiones, como una situación que puede ocasionar daños físicos.

Es posible que se empleen en esta producto algunos de los siguientes símbolos. Le suplicamos estudiarlos y aprender su significado. Una correcta interpretación de estos símbolos le permitirá utilizar mejor y de manera más segura la producto.

SÍMBOLO	NOMBRE	DENOMINACIÓN/EXPLICACIÓN
	Alerta de seguridad	Indica un peligro posible de lesiones personales.
	Lea manual del operador	Para reducir el riesgo de lesiones, el usuario debe leer y comprender el manual del operador antes de usar este producto.
	Protección ocular	Siempre póngase protección ocular con protección lateral con la marca de cumplimiento de la norma ANSI Z87.1.
	Alerta de condiciones húmedas	No exponga la unidad a la lluvia ni la use en lugares húmedos.
	Superficie caliente	Para reducir el riesgo de lesiones corporales o daños materiales evite tocar toda superficie caliente.
	Riesgo de inyecciones	Para reducir el riesgo de una inyección o lesión, nunca dirija un chorro de agua hacia personas o mascotas ni ponga ninguna parte del cuerpo en el chorro. Las fugas presentes en mangueras y acopladores también pueden causar lesiones por inyección. No sujete ninguna manguera ni acoplador.
	Riesgo de explosión	El combustible y los vapores del mismo son explosivos y pueden causar quemaduras graves e incluso la muerte.

SÍMBOLOS

Es posible que se empleen en esta producto algunos de los siguientes símbolos. Le suplicamos estudiarlos y aprender su significado. Una correcta interpretación de estos símbolos le permitirá utilizar mejor y de manera más segura la producto.

SÍMBOLO	NOMBRE	DENOMINACIÓN/EXPLICACIÓN
	Riesgo de incendio	El combustible y los vapores del mismo son extremadamente inflamables y explosivos. El fuego puede causar quemaduras graves e incluso la muerte.
	Emanaciones tóxicas	Los aparatos de gasolina emiten monóxido de carbono, un gas tóxico incoloro e inodoro. Si se inhala monóxido de carbono puede causarse náusea, desmayo o la muerte.
	Contragolpe	Para reducir el riesgo de lesiones por un contragolpe, sujete firmemente el tubo rociador con ambas manos cuando esté encendida la máquina.
	Descarga eléctrica	Si no se usa la unidad en condiciones secas y no se observan prácticas seguras de trabajo, puede producirse una descarga eléctrica.
	Quemaduras químicas	Para reducir el riesgo de lesiones o daños físicos, NO USE SOLUCIONES ÁCIDAS, ALCALINAS, BLANQUEADORES, SOLVENTES, MATERIALES INFLAMABLES O DE GRADO INDUSTRIAL en este producto.

CARACTERÍSTICAS

ESPECIFICACIONES DEL PRODUCTO

Capacidad del tanque de combustible	0,95 l (0,25 gal.
Presión máxima*	15 169 kPa (2200 psi)
Flujo máximo*	7,57 LPM (20 gpm)
Temperatura máxima de agua de cala	104°F

*Máximo que valora determinado por el estándar de PWMA 101

FAMILIARÍCESE CON LA LAVADORA DE PRESIÓN

Vea la figura 1.

Para usar este producto con la debida seguridad se debe comprender la información indicada en la herramienta misma y en este manual, y se debe comprender también el trabajo que intenta realizar. Antes de usar este producto, familiarícese con todas las características de funcionamiento y normas de seguridad del mismo.

SISTEMA AUTOMÁTICO DE INYECCIÓN DE DETERGENTE

Coloque la manguera de inyección de detergente con filtro en el detergente para lavadoras a presión que desee para aplicarlo de manera rápida y fácil a su proyecto de limpieza. El uso de la boquilla para jabón activará el inyector de detergente con una razón de dilución de 20:1.

TANQUE DE COMBUSTIBLE

Este tanque de combustible tiene una capacidad de 0,95 litros (0,25 gal). Use gasolina sin plomo para vehículos.

RANGEMENT DE FLEXIBLES

Una vez que la manguera de alta presión esté enrollada, cuélguela en la parte trasera de la máquina utilizando la tira de gancho y lazada para ajustarla correctamente.

INTERRUPTOR DE ENCENDIDO Y APAGADO

Para apagar el motor, presione el interruptor ON/OFF (de encendido y apagado).

MANGO DEL ARRANCADOR CON CUERDA

Con un tirón del mango del arrancador con cuerda se arranca el motor.

BOQUILLA PARA JABÓN

La boquilla azul para jabón se utiliza para aplicar detergente sólo a baja presión.

VÁLVULA DE SEGURIDAD TÉRMICA

Este dispositivo de la bomba evita que la temperatura del agua alcance un nivel peligroso; para ello, deja salir una pequeña cantidad de agua por una manguera de caucho. Una vez salida el agua, la válvula de seguridad térmica se reinicializa automáticamente.

MANGO DEL GATILLO

El mango del gatillo dispone de una superficie de sujeción ranurada la cual proporciona control adicional de dicho tubo y reduce la fatiga del operador.

GATILLO CON SEGURO

Al tirar del gatillo sale un chorro de agua para limpiar con alta presión. El seguro ofrece protección contra todo uso no autorizado.

HERRAMIENTAS NECESARIAS

Para armar la unidad se necesitan las siguientes herramientas (no incluido o dibujado para escalar):

Vea la figura 1a.

- Llave de combinación

ARMADO

DESEMPAQUETADO

Este producto requiere armarse.

- Extraiga cuidadosamente de la caja la herramienta y los accesorios. Asegúrese de que estén presentes todos los artículos enumerados en la lista de empaquetado.

ADVERTENCIA:

No utilice este producto si alguna pieza incluida en la lista de empaquetado ya está ensamblada al producto cuando lo desempaqueta. El fabricante no ensambla las piezas de esta lista en el producto. Éstas deben ser instaladas por el usuario. El uso de un producto que puede haber sido ensamblado de forma inadecuada podría causar lesiones personales graves.

NOTA: Esta herramienta es pesada. Para evitar sufrir lesiones en la columna, levante con las piernas, no con la espalda, y obtenga ayuda cuando sea necesario.

- Inspeccione cuidadosamente la herramienta para asegurarse de que no haya sufrido ninguna rotura o daño durante el transporte.
- No deseche el material de empaquetado hasta que haya inspeccionado cuidadosamente la herramienta y la haya utilizado satisfactoriamente.
- Si hay piezas dañadas o faltantes, le suplicamos llamar al 1-877-617-3501, donde le brindaremos asistencia.

LISTA DE EMPAQUETADO

Lavadora de presión

Manguera de alta presión de 7,6 m (25 pies)

Mango del gatillo

Tubo rociador

Boquilla de conexión rápida con su compartimento (3)

Manguera de inyección

Rueda (2)

Eje (2)

Pasador de enganche (2)

Lock Nut

Soporte superior del tubo rociador

Lubricante para motor de 4 tiempos (SAE 30)

Entonnoir jetable

Mango

Manual del operador

ADVERTENCIA:

Si hay piezas dañadas o faltantes, no utilice esta herramienta sin haber reemplazado todas las piezas. Usar este producto con partes dañadas o faltantes puede causar lesiones serias al operador.

ADVERTENCIA:

No intente modificar esta herramienta ni hacer accesorios no recomendados para la misma. Cualquier alteración o modificación constituye maltrato, el cual puede causar una condición peligrosa, y como consecuencia posibles lesiones serias.

ADVERTENCIA:

Para evitar un arranque accidental que podría causar lesiones corporales graves, siempre desconecte el cable de la bujía del motor de la bujía misma al ensamblar las piezas.

MONTAJE DEL CONJUNTO DE LAS RUEDAS

Vea la figura 2.

Para fijar las ruedas a la base de la lavadora de presión:

- Localice el eje, los pasadores de enganche y las ruedas. Retire del eje el pasador de enganche.
- Luego pase el eje a través del agujero situado en el centro de la rueda.
- Levante la máquina e introduzca el conjunto del eje, la rueda y la arandela en el agujero de montaje de la rueda situado en la base de la máquina, como se muestra.
- Empuje el pasador de enganche hacia adentro del agujero del extremo del eje para asegurar el conjunto de las ruedas.

NOTA: Debe introducirse el pasador de enganche en el eje hasta que el centro de aquél descansa en la parte superior de éste.

- Repita el proceso con la segunda rueda.

INSTALACIÓN DEL MANGO Y EL SOPORTE DEL TUBO ROCIADORS

Vea las figuras 3 y 5.

Instalación del mango:

- Alinee el mango con los orificios del bastidor.
- Mantenga presionado el botón del mango y deslice el mango dentro de los orificios del bastidor.

Instalación de los soportes del tubo rociadors:

- linee el soporte superior del tubo rociador con los orificios del mango, tal como se muestra en la figura.
- Alinee el soporte superior del tubo rociador con los orificios del mango, tal como se muestra en la figura.
- Afloje la tuerca de seguridad del soporte inferior del tubo rociador. Rote el soporte inferior del tubo rociador hacia afuera aproximadamente 90 grados y ajústelo firmemente.
- Coloque el extremo del tubo montado en el soporte inferior. El tubo debe quedar apoyado sin esfuerzo en el soporte superior.

CÓMO CONECTAR LA MANGUERA DE INYECCIÓN

Vea la figura 6.

Para poder utilizar detergente con esta máquina debe estar conectada la manguera de inyección.

- Monte firmemente el extremo abierto de la manguera transparente de inyección en el conector anillado, como se muestra.

NOTA: Mantenga flexible d'injection lejos de superficies calientes.

- Coloque en la botella de detergente el extremo correspondiente al filtro de la manguera de inyección.

ARMADO

ENSAMBLAJE DEL TUBO ROCIADOR CON EL MANGO DEL GATILLO

Vea la figura 7.

- Introduzca el extremo roscado del tubo rociador en el conector en el extremo del mango del gatillo.
- Gire el conector hacia la derecha hasta que se detenga. Esta acción coloca en su lugar el tubo rociador.

CÓMO CONECTAR LA MANGUERA DE ALTA PRESIÓN AL MANGO DEL GATILLO

Vea la figura 8.

- Enrosque el casquillo de la manguera de alta presión en el acoplador de entrada el mango del gatillo; para ello, gire a la derecha el casquillo de la manguera. **Apriete firmemente.**

NOTA: Tenga cuidado de no trasroscar la rosca, ya que esto podría provocar que el mango del gatillo pierda durante su uso.

- Tire de la manguera para asegurarse de que esté debidamente asegurada.

CÓMO CONECTAR LA MANGUERA DE ALTA PRESIÓN A LA BOMBA

Vea la figura 9.

- Desenrolle y enderece completamente la manguera de alta presión para evitar la formación de acodaduras.

NOTA: Vea **Uso de la manguera de alta presión** en la sección *Funcionamiento* para obtener más información sobre el uso de la manguera de alta presión.

- Alinee el casquillo con la conexión roscada de la bomba.
- Coloque casquillo de la manguera de alta presión en la conexión roscada.
- Gire a la derecha el casquillo y fije firmemente la manguera a la bomba.

NOTA: Tenga cuidado de no trasroscar la rosca, ya que esto podría provocar que la manguera pierda durante su uso.

- Tire de la manguera para asegurarse de que esté debidamente asegurada.

CÓMO CONECTAR UNA MANGUERA DE JARDÍN A LA LAVADORA DE PRESIÓN

Vea la figura 10.

PRECAUCIÓN:

Siempre observe las normas locales cuando conecte las mangueras a la tubería principal de agua. En algunas áreas existen restricciones para la conexión directa al suministro público de agua potable a fin de evitar la retroalimentación de químicos al suministro de agua potable. La conexión directa a través de un tanque receptor o de una válvula contra reflujo suele estar permitida.

El suministro de agua debe venir de la tubería principal de agua. **NUNCA** use agua caliente o agua de piscinas, lagos, etc. Antes de conectar una manguera de jardín a la lavadora de presión:

- Deje correr agua por la manguera durante 30 segundos para limpiar toda la basura que pueda haber en el interior de la misma.
- Inspeccione el cedazo de la entrada de agua.
- Si está dañado el cedazo, no utilice la máquina sino hasta haber reemplazado aquél.
- Si está sucio el cedazo, límpielo antes de conectar la manguera de jardín a la máquina.

Para conectar una manguera de jardín a la máquina:

- Desenrolle completamente la manguera de jardín o quítela completamente del carrete para evitar la formación de acodaduras.

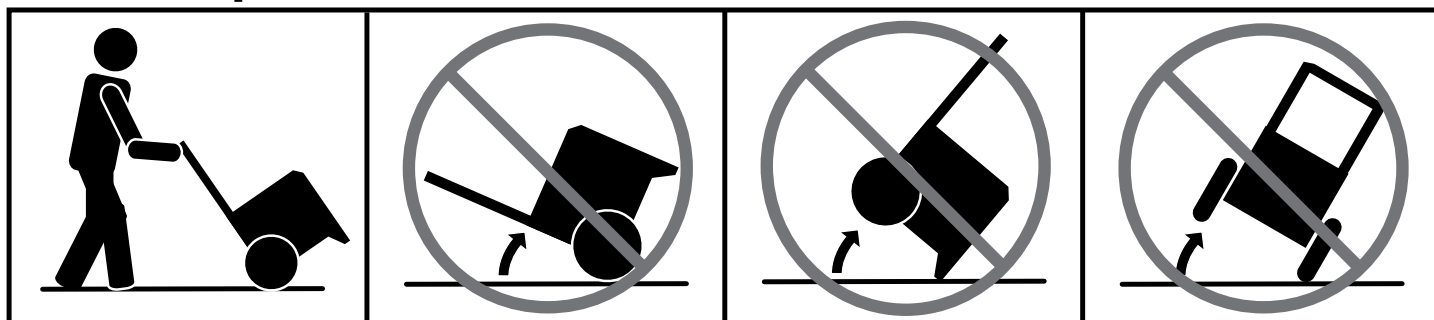
NOTA: Debe haber un mínimo de 3 metros (10 pies) de manguera sin ninguna restricción en el flujo de la misma, entre la entrada de la lavadora de presión y el grifo o válvula de cierre (como un conector de cierre en "Y").

- Teniendo el grifo de la manguera completamente cerrado, conecte el extremo de la manguera de jardín a la entrada de agua. Efectúe el apriete con la mano.

AVISO:

No encienda la bomba de la lavadora a presión si no hay un suministro de agua conectado y encendido, dado que esto podría dañar los sellos de alta presión y disminuir la vida útil de la bomba. Desenrolle la manguera por completo de su carrete o bobina y asegúrese de que la manguera no esté restringida por neumáticos, rocas, ni ningún otro objeto que pueda disminuir o bloquear el flujo de agua hacia la lavadora a presión.

¡NO INCLINE DEMASIADO LA UNIDAD!



FUNCIONAMIENTO

⚠ ADVERTENCIA:

No permita que su familiarización con las herramientas lo vuelva descuidado. Tenga presente que un descuido de un instante es suficiente para causar una lesión grave.

⚠ ADVERTENCIA:

Siempre póngase protección ocular con protección lateral con la marca de cumplimiento de la norma ANSI Z87.1. Si no cumple esta advertencia, los objetos que salen despedidos pueden producirle lesiones serias en los ojos.

⚠ ADVERTENCIA:

No utilice ningún aditamento o accesorio no recomendado por el fabricante de esta herramienta. El empleo de aditamentos o accesorios no recomendados podría causar lesiones serias.

⚠ ADVERTENCIA:

Nunca dirija un chorro de agua en dirección de personas o animales, ni hacia dispositivos eléctricos. La inobservancia de esta advertencia podría causar lesiones serias.

USOS

Puede usar esta herramienta en la casa para limpiar la mayoría de las superficies exteriores horizontales o verticales grandes o pequeñas, las estructuras y objetos exteriores pequeños y las herramientas y equipos para uso al aire libre.* Puede:

- Limpiar o quitar moho y hongos de terrazas, caminos de entrada, patios, caminos, aceras y otras superficies desgastadas.
- Quitar la suciedad de diversas superficies exteriores verticales tales como exteriores de casas, revestimientos de muros exteriores, cercas, paredes de ladrillo, hormigón o piedra, etc.
- Limpiar botes, muebles de patio, equipos de jardinería eléctricos o no, canalones, paneles de ventanas, parrillas, juegos para niños, etc.

*Siempre pruebe primero en un área poco notoria.

ABASTECIMIENTO Y VERIFICACIÓN DE LUBRICANTE

Vea la figura 11.

NOTA: Esta máquina se embarcó con cerca de dos onzas de lubricante de las pruebas en el motor. **Es necesario abastecer de lubricante el motor antes de arrancarlo por primera vez.**

AVISO:

Cualquier intento de arrancar el motor sin abastecerlo de lubricante puede causar la descompostura del mismo.

Para añadir lubricante para motor:

- Coloque la lavadora de presión sobre una superficie horizontal nivelada. No la incline.
- Desenrosque la tapa del aceite con varilla de nivel; para ello, gírela a la izquierda.
- Antes de usar por primera vez, vierta el recipiente que contiene el aceite para que todo su contenido ingrese en el depósito de aceite.

Luego de usar por primera vez, agregue lubricante para motores de 4 tiempos (SAE 30 o SAE 10W30) hasta que el nivel de fluido aumente y alcance la parte superior del área de rayado de la varilla. **No lo llene en exceso.**

- Vuelva a colocar la tapa del aceite con varilla de nivel y apriétela firmemente.

NOTA: Este motor tiene una capacidad de lubricante de 0,44 litros 15 oz.)

Para verificar el nivel de lubricante para motor:

- Coloque la lavadora de presión sobre una superficie horizontal nivelada. No la incline.
- Desenrosque la tapa del aceite con varilla de nivel; para ello, gírela a la izquierda.
- Limpie la varilla de nivel y vuelva a asentarla en el agujero; no la enrosque.
- Retire de nuevo la varilla medidora de lubricante y verifique el nivel de lubricante. El nivel de aceite siempre debe estar dentro del área cubierta con rayas entrecruzadas de la varilla medidora.
- Si está bajo el nivel, abastezca de lubricante el motor hasta que el nivel del fluido alcance la parte superior del área cubierta con rayas entrecruzadas de la varilla.
- Vuelva a colocar la tapa de relleno de aceite/varilla medidora de aceite y asegúrela.

AVISO:

No lo llene excesivamente. Llenar excesivamente el cárter puede producir humo en exceso y daños en el motor.

COMBUSTIBLES OXIGENADOS

NO UTILICE COMBUSTIBLES E15 O E85 EN ESTA UNIDAD. ESTO CONSTITUYE UNA VIOLACIÓN A LA LEY FEDERAL, DAÑARÁ LA UNIDAD Y ANULARÁ LA GARANTÍA.

NOTA: No están cubiertos en la garantía los problemas de desempeño o daños al sistema de combustible producidos por el uso de un combustible oxigenado con un contenido superior a los porcentajes de alcohol o compuesto de éter señalados abajo.

Etanol. Las gasolinas con un contenido de 10% de etanol por volumen (comunmente conocida como E10) es aceptables. **Las gasolinas E15 y E85 no lo son.**



FUNCIONAMIENTO

ABASTECIMIENTO DEL TANQUE DE GASOLINA

Vea la figura 12.

ADVERTENCIA:

La gasolina y los vapores de la misma son extremadamente inflamables y explosivos. Para evitar lesiones y daños físicos serios, maneje con cuidado la gasolina. Manténgala lejos de fuentes de ignición, manéjela solamente al aire libre, no fume mientras vierta la gasolina y limpie de inmediato cualquier derramamiento que ocurra.

Al abastecer de gasolina la lavadora de presión, asegúrese de que la unidad esté asentada en una superficie horizontal nivelada. Si está caliente el motor, permita que se enfríe la lavadora de presión antes de reabastecerla de gasolina. Siempre llene el tanque al aire libre y teniendo apagada la máquina.

NOTA: Este es un motor de cuatro tiempos. No mezcle el lubricante y el combustible.

- Mezcle el estabilizador de combustible con la gasolina de acuerdo con las instrucciones del fabricante del estabilizador de combustible.
- Antes de retirar la tapa del combustible, limpie el área circundante de la unidad. Retire la tapa del combustible.
- Introduzca un embudo limpio en el tanque de combustible y después vierta lentamente la gasolina en el tanque. Llene el tanque hasta una altura aproximada de 38 mm (1-1/2 pulg.) abajo de la parte superior del cuello del tanque (para permitir la expansión del combustible).
- Vuelva a colocar la tapa del combustible y apriétela firmemente la tapa “délic”.
- Limpie todo combustible derramado antes de encender la máquina.

LUBRICACIÓN DE LA BOMBA

La bomba de esta herramienta están lubricados con suficiente cantidad de lubricante de alta calidad para toda la vida útil de la unidad en condiciones normales de funcionamiento. Por lo tanto, no se necesita lubricación adicional de los cojinetes.

ENCENDIDO Y APAGADO DE LA LAVADORA DE PRESIÓN

Vea las figuras 13 y 14.

AVISO:

No encienda la bomba de la lavadora a presión si no hay un suministro de agua conectado y encendido, dado que esto podría dañar los sellos de alta presión y disminuir la vida útil de la bomba. Desenrolle la manguera por completo de su carrete o bobina y asegúrese de que la manguera no esté restringida por neumáticos, rocas, ni ningún otro objeto que pueda disminuir o bloquear el flujo de agua hacia la lavadora a presión.

Antes de arrancar el motor:

- Conecte todas las mangueras
- Revise todos los fluidos (lubricante y gasolina)
- Abra el grifo del agua y luego oprima gatillo para purgar la presión de aire; mantenga oprimido el gatillo hasta que aparezca un chorro de agua estable.

NOTA: Asegúrese de que el grifo esté abierto completamente y de que no haya acodaduras o pérdidas en la manguera.

Para arrancar el motor:

- Ponga el válvula de combustible en la posición ON (MARCHA).
- Coloque el interruptor de encendido y apagado en la posición ON (encendido).
- Presione la bomba de cebado de 3 veces.
NOTA: Si va a arrancar el motor por primera vez, oprima cinco veces la bomba de cebado.
- Sujete el arrancador retráctil y tire lentamente hasta que encuentre resistencia. Dé al arrancador retráctil un tirón corto y enérgico para arrancar el motor.
NOTA: No permita que el mango del arrancador con cuerda vuelva a calzar en su lugar una vez encendido. Colóquelo nuevamente en su lugar original con cuidado.

AVISO:

Si el motor no arranca luego de tirar del mango del arrancador con cuerda, apriete el gatillo para liberar la presión del agua antes de intentar arrancar el motor nuevamente.

Para apagar el motor:

- Lleve el interruptor del motor a la posición de APAGADO (O).
- Ponga la válvula de combustible en la posición OFF (APAGADO).

NOTA: La presión del sistema no se aliviará apagando el motor. Presione el gatillo para liberar la presión del agua.

Para apagar el motor en una situación de emergencia:

- Lleve el interruptor del motor a la posición de APAGADO (O).

ADVERTENCIA:

Sujete firmemente con ambas manos el mango. Al tirar del gatillo, puede que el mango de gatillo se mueva debido a fuerzas de reacción. La inobservancia de esta advertencia puede ocasionar la pérdida de control y lesiones personales y a otros.

FUNCIONAMIENTO

USO DEL MANGO DEL GATILLO

Vea la figura 15.

- Para iniciar el chorro de agua, oprima y no suelte el gatillo.
- Para interrumpir el flujo del chorro de agua por la boquilla, suelte el gatillo.

Para accionar el seguro:

- Suba el seguro hasta dejarlo trabado en la ranura.

Para quitar el seguro:

- Baje el seguro a su posición original.

Para utilizar el tubo rociador, comience con la boquilla a una distancia de entre 30 y 60 cm (1 y 2 pies) de la superficie a limpiar. Acérquese a la superficie justo lo suficiente para alcanzar el nivel de limpieza deseado. Si está demasiado cerca el chorro, puede dañar la superficie que está limpiándose.

SELECCIÓN DE LA BOQUILLA CORRECTA DE CONEXIÓN RÁPIDA PARA CADA TRABAJO

Vea la figura 16.

Cada una de las boquillas tiene un patrón de rociado diferente. Antes de empezar cualquier trabajo de limpieza, determine cuál es la mejor boquilla para el trabajo. Vea la **Guía de selección de boquillas** para obtener más información sobre qué boquilla utilizar.

⚠ ADVERTENCIA:

NUNCA cambie boquillas sin trabar el seguro de apagado en el mango de gatillo y NUNCA apunte el rociador hacia su cara o la de otros. La característica de conexión rápida contiene resortes pequeños que pueden expulsar la boquilla con cierta fuerza. La inobservancia de esta advertencia podría causar lesiones personales.

Con el casquillo de conexión rápida es fácil cambiar la boquilla.

Para conectar una boquilla al mango de gatillo:

- Apague la lavadora de presión y cierre el suministro de agua. **Oprima el gatillo para purgar el agua.**
- Accione el seguro en el mango de gatillo; para ello, suba aquél hasta que se trabe en la ranura.
- Tire del collar de conexión rápida.
- Introduzca la boquilla en su lugar en el tubo rociador.
- Empuje del collar adelante para que la boquilla quede correctamente asegurada. Asegúrese de que la boquilla esté asegurada.

GUÍA DE SELECCIÓN DE BOQUILLAS

		ALTA PRESIÓN (NO USE JABÓN)		BAJA PRESIÓN (PARA JABÓN O ENJUAGUES LEVES)
		25° Verde ▼	40° Blanco ▼	Boquilla azul para jabón ●●●
Cemento, ladrillo, mampostería	✓	✓	✓	
Revestimiento de muros exteriores, canalones, casas	✓	✓	✓	
Cercas, terrazas, patios	✓	✓	✓	
Equipos de jardinería, botes, casas rodantes	✓	✓	✓	
✓ Boquilla recomendada ✓ Usar con cuidado en ciertas aplicaciones				

FUNCIONAMIENTO

Para desconectar la boquilla el mango de gatillo una vez comenzado el trabajo de limpieza:

- Apague la lavadora de presión y cierre el suministro de agua.
Oprima el gatillo para purgar el agua.
- Accione el seguro el el mango de gatillo; para ello, suba aquél hasta que se traben en la ranura.
- Tire y sostenga el collar de conexión rápida.
- Quite la boquilla tirando hacia atrás del collar de conexión rápida. Coloque la boquilla en el lugar donde se guardan éstas, en la parte superior de la máquina.

USO DE LA MANGUERA DE ALTA PRESIÓN

La manguera de alta presión tiene un revestimiento externo que la fortalece. Si el revestimiento externo se daña, se debe reemplazar la manguera inmediatamente. **No use la manguera de alta presión si el revestimiento externo está dañado.**

Para evitar que el revestimiento externo se dañe:

- Inspeccione la manguera antes de cada uso.
- Desenrosque y estire la manguera antes de usarla.
- Evite que la manguera de alta presión se retuerza.
- Mantenga la manguera alejada de superficies calientes y bordes filosos.
- No arrastre la unidad cerca de la manguera de alta presión.
- Evite que otros objetos aplasten la manguera o que ésta se enrede con otros objetos.

LAVADO CON DETERGENTE

Vea la figura 17.

Tal como se vende, esta unidad está diseñada para usarse con detergentes para lavadoras a presión de “flujo descendente”. Para convertir la lavadora de modo que se pueda utilizar con detergentes de “flujo ascendente”, comuníquese con un centro de servicio al cliente autorizado para obtener más información.

Use sólo detergentes diseñados para lavadoras de presión; los detergentes caseros, soluciones ácidas, alcalinas, blanqueadores, solventes, materiales inflamables o de grado industrial pueden dañar la bomba. Numerosos detergentes requieren mezclarse antes de usarse. Prepare la solución de limpieza de conformidad con las instrucciones de la botella correspondiente. Siempre pruebe en un área poco notoria antes de comenzar la limpieza.

- Coloque la manguera de inyección en la parte inferior de la botella o recipiente de detergente.

NOTA: La configuración de la máquina de esta unidad es 20:1, lo que generalmente permite el uso de 3,79 l (1 galón) de detergente para lavadoras de presión sin más dilución. Consulte las instrucciones de su detergente para asegurarse de que no sea necesario realizar una dilución adicional.

- Instale la boquilla azul en el tubo rociador.
- Oprima el gatillo y espere aproximadamente 5 segundos a que comience a salir detergente.
- Rocíe el detergente en una superficie seca, con pasadas largas uniformes traslapadas. Para evitar la formación de franjas, no permita que seque el detergente en la superficie.

Antes de apagar el motor:

- Coloque la manguera de inyección en un balde de agua limpia.
- Rocíe el agua limpia a través del tubo rociador hasta vaciar el balde.
- Si queda jabón en el rociador, repita el proceso con un segundo balde de agua limpia.
- Apague el motor.

NOTA: Apagando el motor -- posición (O) del interruptor--, no se purga del sistema la presión interna. **Oprima el gatillo para purgar el agua a presión.**

ENJUAGADO CON LA LAVADORA DE PRESIÓN

- Apague la lavadora de presión y cierre el suministro de agua. Oprima el gatillo para purgar el agua.
- Accione el seguro el mango de gatillo; para ello, suba aquél hasta que se traben en la ranura.
- Para quitar la boquilla, coloque la mano sobre ella y a continuación tire del collar de conexión rápida. Coloque la boquilla en el lugar donde se guardan éstas, en la parte superior de la máquina.
- Seleccione el ajuste de boquilla adecuado para el trabajo. Vea el cuadro de la página anterior para seleccionar el ajuste de boquilla adecuado.
- Comience por la parte superior por enjuagar y avance hacia abajo, traslapando cada pasada.

TRASLADO DE LA LAVADORA DE PRESIÓN

Vea la figura 18.

NOTA: Nunca alce o mueva este producto tomándolo por el mango.

- Apague la lavadora de presión.
- Párese detrás de la máquina y sujete firmemente con ambas manos el mango.
- Incline la máquina hacia usted hasta equilibrarla sobre las ruedas y después empújela a la posición deseada. No incline la máquina hacia delante o hacia los lados mientras la mueve.

OPERACIÓN A ALTITUDES ELEVADAS

Se requieren modificaciones específicas para una operación a altitudes elevadas. Comuníquese con su centro de servicio autorizado para obtener información importante sobre dichas modificaciones. La operación de este motor sin la modificación por altitud apropiada podría aumentar las emisiones del motor y disminuir el ahorro y desempeño del combustible.

MANTENIMIENTO

ADVERTENCIA:

Al dar servicio a la unidad, sólo utilice piezas de repuesto idénticas. El empleo de piezas diferentes podría causar un peligro o dañar el producto.

ADVERTENCIA:

Siempre póngase protección ocular con protección lateral con la marca de cumplimiento de la norma ANSI Z87.1. Si no cumple esta advertencia, los objetos que salen despedidos pueden producirle lesiones serias en los ojos.

ADVERTENCIA:

Antes de inspeccionar, limpiar o dar servicio a la máquina, apague el motor, espere a que se detengan todas las piezas en movimiento, desconecte el cable de la bujía y aléjelo de ésta. El incumplimiento de cualquiera de estas instrucciones puede causar lesiones serias.

MANTENIMIENTO GENERAL

Evite el empleo de solventes al limpiar piezas de plástico. La mayoría de los plásticos son susceptibles a diferentes tipos de solventes comerciales y pueden resultar dañados. Utilice paños limpios para eliminar la suciedad, el polvo, el lubricante, la grasa, etc.

ADVERTENCIA:

No permita en ningún momento que fluidos para frenos, gasolina, productos a base de petróleo, lubricantes penetrantes, etc., lleguen a tocar las piezas de plástico. Las sustancias químicas pueden dañar, debilitar o destruir el plástico, lo cual a su vez puede producir lesiones corporales serias.

Solamente las piezas mostradas en la lista de piezas pueden ser reparadas o cambiadas por el consumidor. Todas las piezas restantes deben ser reemplazadas en un centro de servicio autorizado.

Antes de encender el motor realice los siguientes pasos previos:

- Verifique que todos los pernos, tuercas, etc., estén firmemente apretados.
- Asegúrese de que esté limpio el filtro.
- Revise tanto el nivel de lubricante del motor como el nivel del tanque de combustible; reabastézcalos según sea necesario.
- Inspeccione el área de trabajo para ver si hay peligros presentes.
- Si hay ruido o vibración excesivos, apague de inmediato la unidad.

MANTENIMIENTO DE LAS BOQUILLAS

Vea la figura 19.

La presión excesiva de la bomba (se siente una sensación de pulsación al estar oprimiendo el gatillo) puede deberse a que la boquilla está tapada o sucia.

- Arrêter le nettoyeur et fermer l'arrivée d'eau. Appuyer sur la gâchette pour relâcher la pression d'eau.

- Retirer la buse de la lance de pulvérisation.
NOTE : Ne jamais diriger la lance de pulvérisation vers le visage.
- Utiliser l'outil de nettoyage de buse fourni pour éliminer les matières étrangères causant l'obstruction.
- À l'aide d'un tuyau d'arrosage, rincer les débris de la buse en rinçant à l'envers (en dirigeant le jet de l'extérieur vers l'intérieur).
- Reconnecter la buse sur la lancette.
- Ouvrir l'arrivée d'eau et démarrer le moteur.

LIMPIE O REEMPLACE LA BUJÍA, SEGÚN SEA NECESARIO.

Vea la figura 20.

Un filtro sucio puede causar dificultades de arranque, pérdida de rendimiento y acortar la vida útil del motor. Inspeccione mensualmente el filtro de aire. Para lograr un desempeño óptimo de la unidad, reemplace el filtro de aire por lo menos una vez al año.

NOTA: NO retire la cubierta, ya que podría desconectar o aflojar el alambre encargado de conectar el interruptor de **APAGADO** con el motor, con lo cual quedaría éste sin capacidad de funcionar.

- Presione la traba para abrir la tapa.
- Retire la tapa del filtro de aire.
- Levante el extremo del filtro de aire cuidadosamente para retirar el filtro.
- Limpie el filtro de aire con agua jabonosa tibia.
- Enjuague y deje secar.
- Coloque una pequeña cantidad de lubricante de motor (SAE 30) en la esponja del filtro. Exprima el exceso de lubricante y luego vuelva a instalar el filtro de aire.
NOTA: Asegúrese de que el filtro esté asentado correctamente en el interior de la tapa. Si se instala de forma incorrecta el filtro el polvo entra en el motor y causa un rápido desgaste del mismo.
- Para volver a colocar la tapa del filtro de aire, introduzca las pestañas en las ranuras. Cierre la tapa y empuje la traba hasta que quede ajustada.

REVISIÓN DE LA BUJÍA

Vea la figura 21.

- Limpie el área alrededor de la base de la bujía antes de retirarla para evitar que la suciedad y los desechos ingresen en el motor. Retire la bujía.
- Limpie los depósitos de carbón de los electrodos de la bujía con un limpiador para bujías o un cepillo de alambre. Reemplace la bujía si está gastada. (Bougie recommandée : Torch F6TC).
- Verifique el espacio interelectrónico. El espacio interelectrónico debe ser de 0,7 mm a 0,8 mm (0,028 in a 0,031 in). Ajuste el espacio, si es necesario, doblando con cuidado el electrodo de conexión a tierra.
- Réinstaller la bujía. Ajuste firmemente.

MANTENIMIENTO

CAMBIO DE LUBRICANTE DE MOTOR

Vea la figura 22.

- Apague el motor.
- Limpie el área alrededor del tapón de drenaje de lubricante y luego quite el tapón.
- Incline la lavadora a presión sobre el costado, como se muestra. Drene el lubricante en un recipiente aprobado.

NOTA: Drene el lubricante mientras esté tibio el motor, no caliente. El lubricante tibio se drena con mayor facilidad y compleción.

- Después de que el cárter se drene por completo, vuelva a colocar la lavadora a presión en la posición vertical.
- Vuelva a colocar el tapón de drenaje de lubricante.
- Llene con lubricante siguiendo las instrucciones de la sección **Agregado de lubricante al motor**, que aparece más arriba en este manual.

NOTA: Consulte las normas de desecho de residuos peligrosos de la localidad donde se encuentre para averiguar la forma correcta de desechar el combustible usado.

MANTENIMIENTO DE LA BOMBA

Routinely make a visual inspection of the pump. If you notice any leaking of lubricant around the pump seals, take the pressure washer to an authorized service center for repair.

There are no user serviceable parts to the pressure washer pump. Any attempt to service or alter the pump may damage the pressure washer and void your product warranty.

GUARDADO DE LA LAVADORA DE PRESIÓN

Vea la figura 23.

NOTA: El uso regular de estabilizador de combustible y de protector para bombas dará un mejor desempeño a la unidad y alargará la vida útil de la bomba. Vea la Lista de piezas de repuesto para conocer los tamaños disponibles y los números de pieza de estos elementos.

Permita un período de enfriamiento de 30 minutos antes de guardar la máquina. Guarde la unidad en un lugar seco y cubierto, en el cual no pueda resultar dañada a la intemperie.

Es importante guardar este producto en un área protegida contra la congelación. Siempre vacíe todas las mangueras, la bomba, el tanque de combustible y el balde de detergente antes de guardar la unidad.

- Mantenga encendida la máquina hasta agotar el combustible. La gasolina puede echarse a perder en 30 días.

NOTA: Asegúrese de que el suministro de agua esté conectado y encendido cuando ponga en marcha el motor de la lavadora a presión.

- Asegúrese de que el interruptor de encendido/apagado y la válvula de combustible se en la posición OFF (APAGADO).
- Desconecte la conexión de agua.
- Vacíe la bomba; para ello, tire del arrancador retráctil seis veces aproximadamente. De esta manera se elimina de la bomba la mayoría del líquido.

AVISO:

Se muy recomienda emplear un protector para la bomba para evitar daños por temperaturas bajas mientras la unidad está guardada en los meses de invierno.

- Drene el lubricante y cámbielo por lubricante nuevo y limpio como se explica en **Abastecimiento y verificación de lubricante** en la sección *Operación* de este manual.
- Desconecte el cable de la bujía y retire ésta. Vierta cerca de una cucharada chica de lubricante limpio para motor de cuatro tiempos a través del agujero de la bujía, en el interior de la cámara de combustión.
- Teniendo la bujía afuera, tire de la cuerda del arrancador dos o tres veces para recubrir el interior de la pared del cilindro.
- Inspeccione la bujía y límpiela o reemplácela según sea necesario.
- Vuelva a instalar la bujía, pero deje desconectado el cable de la misma.
- Limpie el filtro de aire.
- Extienda la cuerda del arrancador retráctil para controlar su condición. Si la cuerda está deshilachada, hágala cambiar de inmediato en un centro de servicio autorizado.
- Retire las mangueras. Enrolle las mangueras y guarde como se muestra. No permita que la manguera se retuerza.
- Guarde la unidad y los accesorios en un área que esté protegida contra las temperaturas bajo cero. No la guarde cerca de hornos u otras fuentes de calor que pueda secar los sellos de la bomba.

PREPARACIÓN DE LA UNIDAD PARA USARLA DESPUÉS DE TENERLA GUARDADA

- Tire del arrancador retráctil tres o cuatro veces para limpiar el lubricante de la cámara de combustión.
- Retire la bujía del cilindro. Limpie el lubricante de la bujía y vuelva a ponerla en el cilindro.
- Vuelva a conectar el cable de la bujía.
- Reabastezca de combustible la máquina de la forma descrita anteriormente en el manual del operador.

MANTENIMIENTO

CALENDARIO DE MANTENIMIENTO PERIÓDICO

Artículos de mantenimiento Perform at every indicated month or operating hour interval, whichever comes first	Antes de cada uso	Primer mes o 5 horas	Cada 3 meses o 25 horas	Cada 6 meses o 50 horas	Cada año o 100 horas	Cada 2 años o 250 horas
Revise y reabastezca el lubricante de motor	•					
Cambie el lubricante de motor*		•		•		
Revisar el filtro de aire	•					
Limpie el filtro de aire			•			
Reemplace el elemento del filtro de aire						•
Limpie y ajuste la bujía y los electrodos					•	
Reemplace la bujía						•

*Cambiar el lubricante del motor cada 25 horas cuando se utiliza bajo carga pesada o en la temperatura ambiente elevada. Elimine los desechos de lubricante en forma segura y responsable. No los vierta en los drenajes de aguas cloacales, en la tierra del jardín ni en arroyos de agua abiertos. Los reglamentos locales de zonificación o protección ambiental suministran instrucciones más detalladas sobre la forma correcta de eliminación.

Las tareas de mantenimiento no descritas aquí deben ser llevadas a cabo por el centro de servicio técnico.

SOLUCIÓN DE PROBLEMAS

PROBLEMA	CAUSA	SOLUCIÓN
El motor no arranca	<p>No hay combustible en el tanque</p> <p>Falló o tiene corta la bujía</p> <p>Se rompió la bujía (se rajó la porcelana o se rompieron los electrodos)</p> <p>El cable de ignición tiene corto, está roto o desconectado de la bujía caso</p> <p>El sistema de ignición no funciona</p> <p>La unidad no está cebada</p>	<p>Reabastezca el tanque</p> <p>Reemplace la bujía</p> <p>Reemplace la bujía</p> <p>Reemplace el cable de ignición o conéctelo a la bujía</p> <p>Comuníquese con un centro de servicio autorizaao</p> <p>Presione la bomba de cebado 3 veces (5 veces si arranca el motor por primera vez)</p>
Cuesta trabajo arrancar el motor	<p>Hay agua en la gasolina</p> <p>Está débil la chispa de la bujía</p>	<p>Drene todo el sistema y reabastézcalo con combustible nuevo</p> <p>Comuníquese con un centro de servicio autorizado</p>
Le falta potencia al motor	Está sucio el filtro de aire	Limpie o reemplace el filtro de aire
El detergente no está mezclándose en el rocío	<p>La manguera de inyección del detergente no está sumergida correctamente</p> <p>La boquilla de alta presión es la que está conectada</p>	<p>Introduzca la manguera de inyección en el recipiente o botella del detergente</p> <p>Para aplicar el detergente use la boquilla de baja presión (la negra)</p>
La bomba no genera presión	<p>La boquilla de baja presión es la que está instalada</p> <p>El suministro de agua es inadecuado</p> <p>Présence de fuites dans la ango del gatillo o tubo de rociador</p> <p>Está tapada la boquilla</p> <p>Está defectuosa la bomba</p> <p>Aire en el conductor</p>	<p>Reemplácela por la boquilla de alta presión</p> <p>Suministre un flujo de agua adecuado</p> <p>Verifique las conexiones y/o tiene fugas reemplace el mango del gatillo tubo de rociador</p> <p>Limpie la boquilla</p> <p>Comuníquese con un centro de servicio autorizado</p> <p>Oprima el gatillo el mango del gatillo para eliminar el aire del conductor</p>
La máquina no alcanza presión alta	<p>Está demasiado pequeño el diámetro de la manguera de jardín</p> <p>Está restringido el suministro de agua</p> <p>No hay suficiente agua en la entrada</p> <p>Está puesta una boquilla equivocada</p>	<p>Reemplácela con una manguera de 19 mm (3/4 pulg)</p> <p>Revise la manguera de jardín para ver si tiene dobleces, fugas o bloqueos</p> <p>Abra el suministro de agua a toda su capacidad</p> <p>Instale la boquilla de alta presión</p>

GARANTÍA

GARANTÍA LIMITADA CON EXCEPCIÓN DEL MOTOR

OWT Industries, Inc., (la Compañía) garantiza al comprador minorista original que este Producto PowerStroke carece de defectos en material y mano de obra, y acuerda reparar o reemplazar, a la discreción de la Compañía, cualquier Producto defectuoso sin cargo en los siguientes períodos a partir de la fecha de la compra:

- Dos años si el Producto se utiliza exclusivamente para fines personales, familiares o domésticos.
- 90 días si el Producto se utiliza para fines comerciales.

Esta garantía sólo es válida para los Productos vendidos dentro del territorio de los Estados Unidos de América, el distrito de Columbia, Canadá, México, el Estado Libre Asociado de Puerto Rico, las Islas Vírgenes, o Guam.

Esta garantía no es transferible y sólo cubre los daños derivados de defectos en material o mano de obra y no los daños causados por el uso irracional, incluida la falta de mantenimiento razonable y necesario.

Entre los artículos que no cuentan con la cobertura de esta garantía, se encuentran:

- Los gastos de transporte originados por el envío del producto a la Compañía o a su representante de servicio autorizado para el mantenimiento incluido en la garantía, o por el envío al consumidor de productos reparados o reemplazados; estos cargos corren por cuenta del comprador minorista original.
- Los daños causados por el maltrato, los accidentes, el uso indebido, la negligencia, la alteración, la modificación, los efectos de la corrosión, la erosión, el desgaste normal o las reparaciones realizadas por personas ajenas a la Compañía o a sus representantes de servicio autorizados.
- Además, esta garantía no cubre:
 - Afinación – Bujías, carburador, ajustes del carburador, encendido, filtros, cambio de lubricante
 - Desgaste de piezas – Cuerda del arrancador retráctil, escobillas del motor, pasadores de chaveta, ruedas

La garantía queda anulada si el cliente no instala, mantiene o utiliza el producto respetando las instrucciones y las recomendaciones de la Compañía, según se expresa en el manual del operador del Producto, o si el Producto se utiliza como equipo de alquiler.

La Compañía no se hará cargo de las reparaciones o los ajustes al Producto, o de cualquier tarea o gasto que no sea autorizado previamente por esta Compañía.

GUARDE SU COMPROBANTE DE COMPRA

Antes de que la Compañía o sus representantes de servicio autorizados puedan efectuar el servicio correspondiente cubierto por la garantía del Producto, se solicitará como comprobante de compra una factura de compra con fecha.

EXCLUSIONES Y LIMITACIONES

ESTA GARANTÍA LIMITADA PREVALECE SOBRE CUALQUIER OTRA GARANTÍA EXPRESA. CUALQUIER GARANTÍA IMPLÍCITA DE COMERCIABILIDAD, IDONEIDAD PARA UN FIN ESPECÍFICO U OTRA QUE BRINDE COBERTURA PARA ESTE PRODUCTO ESTARÁ LIMITADA EN DURACIÓN AL PLAZO DE ESTA GARANTÍA LIMITADA. EL SERVICIO DE GARANTÍA DESCRITO ANTERIORMENTE ES EL ÚNICO RECURSO BAJO ESTA GARANTÍA. LA COMPAÑÍA NO SERÁ RESPONSABLE DE CUALQUIER DAÑO ESPECIAL, INDIRECTO O CONSECUENTE.

ALGUNOS ESTADOS NO PERMITEN LIMITACIONES EN CUANTO A LA DURACIÓN DE UNA GARANTÍA IMPLÍCITA, O LA EXCLUSIÓN O LIMITACIÓN DE LOS DAÑOS INDIRECTOS O CONSECUENTES; POR LO QUE ES POSIBLE QUE LAS LIMITACIONES O EXCLUSIONES ANTERIORES NO SE APLIQUEN EN SU CASO.

CÓMO OBTENER UN SERVICIO DE GARANTÍA

Para obtener el servicio de garantía: Llame sin cargo al 1-877-617-3501 o escriba a OWT Industries, Inc., P.O. Box 35, Hwy. 8, Pickens, SC 29671.

Para obtener el servicio de garantía fuera de los EE. UU., comuníquese con el establecimiento PowerStroke local.

GARANTÍA

GARANTÍA LIMITADA DE MOTOR

CHONGQING RATO POWER CO., LTD., (a quien en este documento se le llamará "Rato"), garantiza que cada nuevo motor que venda estará, en condiciones de uso y servicio normales, exento de defectos en materiales y mano de obra durante el período indicado a continuación y a partir de la fecha de la venta al comprador al menudeo original. La obligación de Rato en virtud de esta Garantía Limitada habrá de limitarse a la reparación y reemplazo, a opción de Rato, de cualquiera de las piezas que después que se las inspeccione tengan, a juicio de Rato, defectos de materiales o de mano de obra. Habrá de ser condición de la obligación de Rato en virtud de esta Garantía Limitada que Rato, directamente o a través de uno de sus Concesionarios o Centros de Servicio autorizados para llevar a cabo el mantenimiento del motor particular involucrado, reciba notificación oportuna de cualquier reclamación en virtud de la garantía y que el motor o las piezas presuntamente defectuosas se entreguen oportunamente, con flete prepagado, a dicho Concesionario o Centro de servicio para su inspección y reparación. Todas las reparaciones que califiquen en virtud de esta Garantía Limitada deberá realizarlas Rato, uno de sus Concesionarios autorizados o sus Centros de Servicio.

PLAZOS DE GARANTÍA: Limitada de 2 años garantía de motor

Si tiene preguntas referidas a la cobertura de la garantía, llame al 1-877-617-3501.

La reparación o reemplazo de cualquiera de las piezas amparadas por esta Garantía Limitada no habrá de prorrogar el plazo de la garantía del motor en exceso del plazo original estipulado anteriormente.

LIMITACIONES Y EXCLUSIONES: Esta Garantía Limitada no habra de aplicarse a:

1. Cigüeñales doblados o rotos, ni a daños consecuentes causados por la vibración relacionada con un cigüeñal doblado o roto. Además, el daño causado por pernos sueltos de montaje del motor o por accesorios erróneos o desbalanceados, ni por aspas instaladas en el cigüeñal.
2. Las reparaciones necesarias debido al almacenamiento prolongado incluso los daños causados por combustible deteriorado por el tiempo o contaminado en el tanque de combustible, tuberías de combustible, o el carburador, válvulas pegajosas ni la corrosión u óxido de las piezas dle motor.
3. Reparaciones necesarias debido al calentamiento excesivo. (Muy a menudo causado por sobrecargas o por volantes, ventiladores, pasajes de entrada de aire, aletas de enfriamiento o cubiertas de enfriamiento obstruidos, dañados o faltantes.)

4. El desgaste relacionado con la suciedad o mugre causado por el mantenimiento insuficiente del filtro de aire (que a menudo resulta en desgastes prematuros en el pistón, en los anillos del pistón, en los cilindros, en las válvulas, en las guías de las válvulas, en el carburador o en otros componentes internos).
5. Piezas rotas o abolladas como consecuencia de bajos niveles de aceite, aceite contaminado o grado erróneo de aceite.
6. Afinados de motor y servicio normal de mantenimiento entre los que se incluyen, el ajuste de válvulas, reemplazo normal de componentes de servicio, combustible y aceite lubricante, etc.
7. Cualquier motor que haya estado sujeto a negligencia, uso indebido, accidente, aplicación errónea o a exceso de velocidad.
8. Cualquier motor instalado, reparado o modificado por persona alguna y de tal manera, que a juicio de Rato, se afecte adversamente el rendimiento o fiabilidad de dicho motor.
9. Cualquier motor que se haya instalado o reparado con piezas o componentes que no hayan sido fabricados o autorizados por Rato, y que a juicio de Rato afecten el desempeño o fiabilidad de dicho motor.
10. Situaciones en las que el uso normal ha agotado la vida útil de un componente o de un motor.

El cliente es responsable de todos los gastos de transporte en conexión con cualquier trabajo bajo garantía.

Rato se reserva el derecho de cambiar, modificar o mejorar cualquier motor o sus componentes sin incurrir en la obligación alguna para modificar o reemplazar, cambiar motor o componentes vendidos anteriormente sin incurrir en obligación alguna de modificar o reemplazar ningún motor o componentes vendidos previamente sin incluir dicho cambio, modificación o mejora.

Ninguna persona está autorizada para otorgar ninguna otra garantía ni para asumir obligaciones adicionales en nombre y representación de Rato a menos que ello se haga por escrito y esté firmado por un funcionario directivo de Rato.

ESTA GARANTÍA, Y LA OBLIGACIÓN DE RATO'S EXPRESADA EN EL PRESENTE DOCUMENTO, SUSTITUYEN CUALESQUIER OTRAS GARANTÍAS U OBLIGACIONES DE CUALQUIER ÍNDOLE, EXPRESAS O IMPLÍCITAS, INCLUSO CUALESQUIER GARANTÍAS DE COMERCIABILIDAD O IDONEIDAD PARA UN PROPÓSITO PARTICULAR. NO EXISTEN GARANTÍAS QUE SE EXTIENDAN SOBRE LO DESCRITO LITERALMENTE EN ESTE DOCUMENTO. EN NINGUNA CIRCUNSTANCIA, RATO HABRÁ DE SER RESPONSABLE POR NINGÚN DAÑO CONSECUENTE O INCIDENTE.

GARANTÍA

DECLARACIÓN DE GARANTÍA DEL CONTROL DE EMISIONES DERECHOS Y OBLIGACIONES DEL CONSUMIDOR SEGÚN LA GARANTÍA

La Junta de Recursos del Aire de California (California Air Resources Board, CARB) y la Agencia de Protección Ambiental (Environmental Protection Agency, EPA) de los Estados Unidos y Chongqing Rato Power Co., Ltd (RATO) tienen el agrado de explicarle la Garantía del Sistema de Control de Emisiones de su motor pequeño para vehículos todo terreno. En los Estados Unidos y California, los nuevos motores pequeños para vehículos todo terreno deben diseñarse, fabricarse y equiparse de manera que cumplan con las rigurosas normas estatales contra la contaminación del aire. RATO debe garantizar el sistema de control de emisiones de su motor pequeño para vehículos todo terreno durante los períodos de tiempo que se enumeran a continuación siempre que no haya existido ningún abuso, negligencia o mantenimiento inadecuado de su motor pequeño para vehículos todo terreno.

Es posible que el sistema de control de emisiones incluya piezas tales como el carburador o el sistema de inyección de combustible, el sistema de encendido y el convertidor catalítico. También puede incluir mangueras, correas de transmisión, conectores y otros ensamblajes relacionados con las emisiones.

Cuando exista una condición cubierta por la garantía, RATO reparará su motor pequeño para vehículos todo terreno sin costo alguno, esto incluye el diagnóstico, las piezas y la mano de obra.

COBERTURA DE LA GARANTÍA DEL FABRICANTE:

El Sistema de Control de Emisiones está cubierto por la garantía por un período de dos años en motores pequeños para vehículos todo terreno. Si cualquier pieza relacionada con las emisiones de su motor está defectuosa, RATO la reparará o reemplazará. RATO brinda cobertura de la garantía durante un período de dos años.

RESPONSABILIDADES DEL PROPIETARIO EN RELACIÓN CON LA GARANTÍA:

Como propietario del motor pequeño para vehículos todo terreno, usted es responsable de realizar el mantenimiento necesario indicado en el manual del propietario. RATO recomienda que guarde todos los recibos correspondientes al mantenimiento de su motor pequeño para vehículos todo terreno, pero RATO no puede anular la garantía únicamente por la falta de recibos o por no poder garantizar la realización de todo el mantenimiento programado.

Como propietario del motor pequeño para vehículos todo terreno, debe saber que RATO puede anular la cobertura de la garantía si su motor pequeño para vehículos todo terreno o una pieza han fallado a causa de un abuso, negligencia, mantenimiento inadecuado o modificaciones no aprobadas.

Usted es responsable de llevar su motor pequeño para vehículos todo terreno a un centro de distribución de RATO tan pronto como surja un problema. Las reparaciones amparadas por la garantía deben realizarse en un plazo razonable, preferentemente que no exceda los 30 días.

Si tiene alguna pregunta con respecto a sus derechos y responsabilidades en relación con la garantía, debe comunicarse con RATO USA, LLC llamando al 1-855-206-5286 o envíe un correo electrónico a lwang@greatlakestec.com. A PowerStroke Servicio al Cliente al 1-877-617-3501 a E-mail www.powerstroketools.com.

REQUISITOS DE LA GARANTÍA DE LOS DEFECTOS:

- (a) El período de garantía comienza en la fecha en la que el motor o equipo se entrega a un comprador final.
- (b) Cobertura general de la garantía por emisiones. RATO garantiza al comprador final y a cada propietario subsiguiente que el motor o equipo:
 - (1) Está diseñado, fabricado y equipado de conformidad con todas las normativas aplicables adoptadas por la Junta de Recursos del Aire y la Agencia de Protección Ambiental de Estados Unidos (United States Environmental Protection Agency, U.S.EPA);
 - (2) No tiene defectos en materiales ni en mano de obra que causen la falla de una pieza cubierta por la garantía durante un período de dos años.
- (c) La garantía en las piezas relacionadas con las emisiones se interpretará de la siguiente manera:
 - (1) Cualquier pieza cubierta por la garantía que no esté programada para un reemplazo como mantenimiento necesario en las instrucciones escritas requerido por la Subsección (d) debe estar cubierta por la garantía por el período de la garantía delimitado en la Subsección (b)(2). Si cualquiera de dichas piezas fallara durante el período de garantía, RATO deberá repararla o reemplazarla según la siguiente Subsección (4). Cualquiera de dichas piezas reparadas o reemplazadas bajo la garantía deben estar cubiertas por la garantía durante el período de garantía restante.
 - (2) Cualquier pieza cubierta por la garantía que tiene solamente una inspección regular programada en las instrucciones escritas requerida por la subsección (d) debe estar cubierta por la garantía por el período de la garantía delimitado en la Subsección (b)(2). Ninguna declaración incluida en tales instrucciones escritas que indique "reparar o sustituir si es necesario" reducirá el período de cobertura de la garantía. Cualquiera de dichas piezas reparadas o reemplazadas bajo garantía deben estar cubiertas durante el período de garantía restante.

- (3) Cualquier pieza cubierta por la garantía que esté programada para un reemplazo como mantenimiento necesario en las instrucciones escritas requerido por la Subsección (d) debe estar cubierta por la garantía por el período de tiempo previo al primer reemplazo programado para esa pieza. Si la pieza falla antes del primer reemplazo programado, RATO debe reparar o reemplazar la pieza conforme a la siguiente Subsección (4). Cualquiera de dichas piezas reparada o reemplazada bajo garantía debe estar cubierta por el resto del período previo al primer reemplazo programado para esa pieza.
- (4) La reparación o el reemplazo bajo garantía de cualquier pieza cubierta por la garantía debe realizarse sin costo alguno para el propietario en un centro de servicios de garantía.
 - (5) No obstante lo dispuesto en la Subsección (4), los servicios de garantía o reparaciones se deben brindar en todos los centros de distribución de RATO que cuenten con la licencia para brindar servicio a los motores en cuestión.
 - (6) El propietario no debe pagar por trabajo de diagnóstico que lleve a determinar que la pieza cubierta por la garantía en realidad está defectuosa, siempre que dicho trabajo de diagnóstico se haya realizado en un centro de servicios de garantía.
 - (7) RATO es responsable por los daños a otros componentes del motor causados por una falla bajo garantía de cualquier pieza cubierta por la garantía.
 - (8) Durante el período de la garantía por emisiones delimitado en la Subsección (b)(2), RATO debe mantener un suministro de piezas cubiertas por la garantía suficiente para satisfacer la demanda esperada de dichas piezas.
 - (9) Puede utilizarse cualquier pieza de reemplazo en la realización de cualquier mantenimiento o reparación bajo garantía y se debe proporcionar sin cargo alguno para el propietario. Dicha utilización no minimizará las obligaciones de garantía de RATO.
 - (10) No deben utilizarse piezas añadidas o modificadas que no estén exentas por la Junta de Recursos del Aire. La utilización de cualquier pieza modificada o añadida no exenta será una razón para rechazar un reclamo de garantía. RATO no será responsable de cubrir bajo garantía fallas de piezas cubiertas causadas por la utilización de una pieza modificada o añadida no exenta.
 - (11) RATO al emitir la garantía proporcionará cualquier documento que describa los procedimientos o las políticas de la garantía del fabricante dentro de los cinco días hábiles luego de haber sido solicitado por la Junta de Recursos del Aire.
- (d) Lista de las piezas bajo garantía de emisiones.
 - (1) Sistema de medición del combustible
 - (i) Carburador y piezas internas (y/o regulador de presión o sistema de inyección de combustible).
 - (ii) Sistema de control y retroalimentación de relación aire/combustible.
 - (iii) Sistema de enriquecimiento de arranque en frío.
 - (iv) Tanque de combustible.
 - (2) Sistema de inducción de aire
 - (i) Sistema controlado de entrada de aire caliente.
 - (ii) Distribuidor de entrada.
 - (iii) Filtro de aire.
 - (3) Sistema de ignición
 - (i) Bujías.
 - (ii) Sistema de ignición electrónico o magnético.
 - (iii) Sistema de adelanto/retraso de encendido.
 - (4) Sistema de recirculación de gases de escape (EGR)
 - (i) Cuerpo de la válvula de EGR y separador del carburador si corresponde.
 - (ii) Sistema de control y retroalimentación de velocidad de EGR.
 - (5) Sistema de inyección de aire
 - (i) Bomba de aire o válvula de impulso.
 - (ii) Válvulas que afectan la distribución del flujo.
 - (iii) Colector de distribución.
 - (6) Sistema de reactores térmico o catalítico
 - (i) Transformador catalítico.
 - (ii) Reactor térmico.
 - (iii) Colector de escape.
 - (7) Controles particulados
 - (i) Trampas, filtros, precipitadores y cualquier otro dispositivo utilizado para capturar las emisiones de partículas.
 - (8) Artículos varios utilizados en los sistemas anteriores
 - (i) Controles electrónicos.
 - (ii) Válvulas sensibles al tiempo, la temperatura y el vacío e interruptores.
 - (iii) Mangueras, correas de transmisión, conectores y ensamblajes.



2200 PSI PRESSURE WASHER
LAVADORA A PRESIÓN DE 2 200 PSI
PS80516A

OPERATOR'S MANUAL
MANUAL DEL OPERADOR

CALIFORNIA PROPOSITION 65

⚠ WARNING:
This product, its exhaust, and other substances that may become airborne from its use contain chemicals, including lead, known to the State of California to cause cancer, birth defects, or other reproductive harm. *Wash hands after handling.*

CALIFORNIA - PROPUESTA DE LEY NÚM. 65

⚠ ADVERTENCIA:
Este producto, su escape y otras sustancias que puedan llegar a ser aerotransportadas por su uso pueden contener sustancias químicas (por ejemplo, plomo) consideradas por el estado de California como causantes de cáncer, defectos de nacimiento u otras alteraciones reproductivas. *Lávese las manos después de utilizar el aparato.*

SERVICE
For parts or service, contact your nearest authorized service dealer. Be sure to provide all relevant information when you call or visit. For the location of the authorized service dealer nearest you, please call 1-877-617-3501.

REPAIR PARTS
The model number of this product is found on a plate or label attached to the housing. Please record the serial number in the space provided below.

MODEL NO. PS80516A

SERIAL NO. _____
.....

SERVICIO
Para obtener piezas o servicio, comuníquese con el centro de servicio autorizado de más cercano. Asegúrese de proporcionar todos los datos pertinentes al llamar o al presentarse personalmente. Para obtener información sobre el establecimiento de servicio autorizado más cercano a usted, le suplicamos llamar al 1-877-617-3501.

PIEZAS DE REPUESTO
El número de modelo de este producto se encuentra en una placa o etiqueta pegada a la caja del motor. Le recomendamos anotar el número de serie en el espacio suministrado abajo.

NÚMERO DE MODELO PS80516A

NÚMERO DE SERIE _____

OWT INDUSTRIES, INC.
P.O. Box 35, Highway 8
Pickens, SC 29671 USA
1-877-617-3501
www.powerstroketools.com